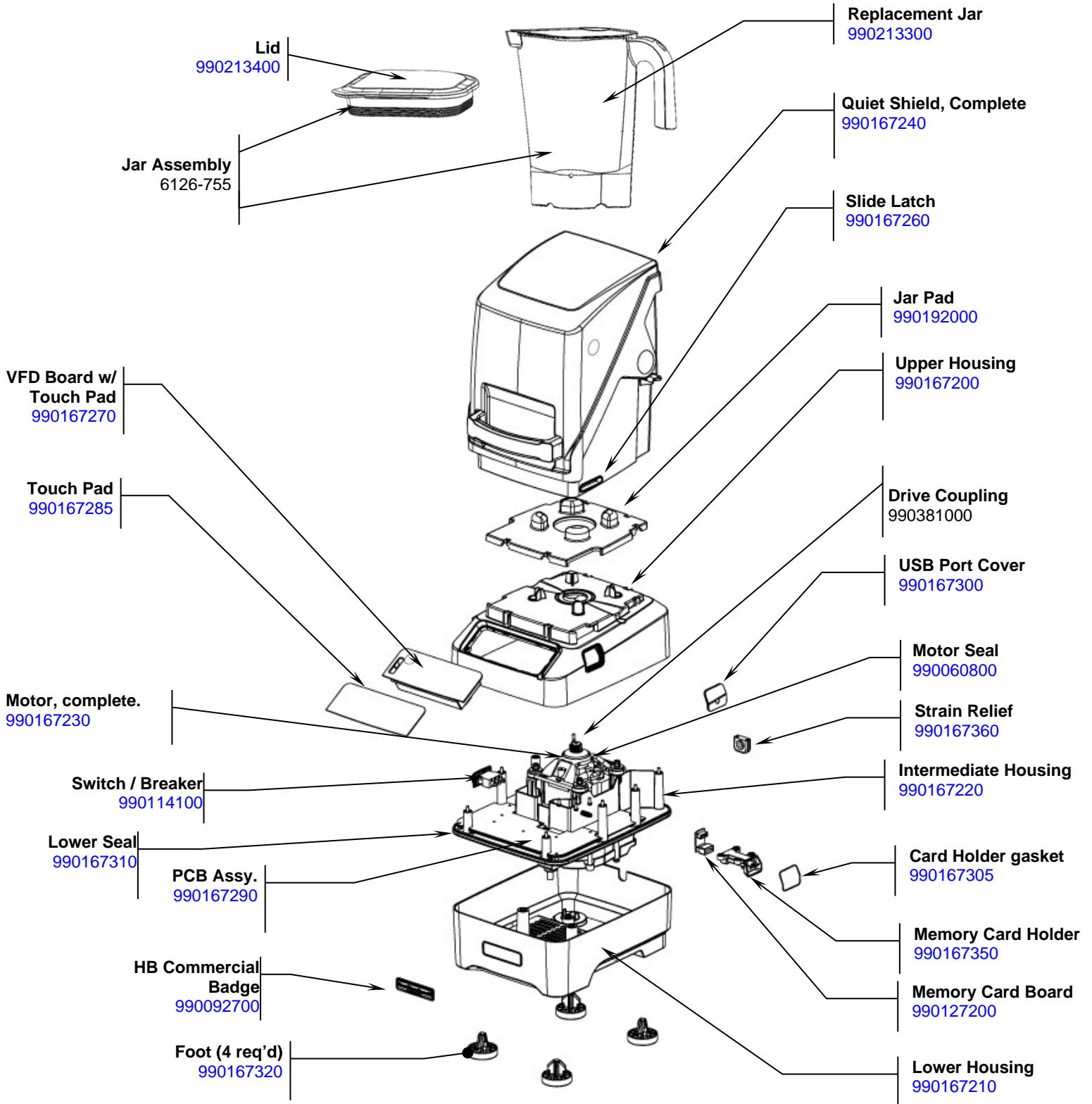


# Parts and Accessories Diagram

## HBH755

**PROPRIETARY RIGHTS NOTICE** This document and all information contained within it is the property of Hamilton Beach Brands, Inc. (HBB). It is confidential and proprietary and has been provided to you for a limited purpose. It must be returned or destroyed upon request. Disclosure, reproduction or use of this document and any information contained within it, in full or in part, for any purpose is forbidden without the prior written consent of HBB. No photographs may be taken of any article fabricated or assembled from this document without the prior written consent of HBB.

### Replacement Parts



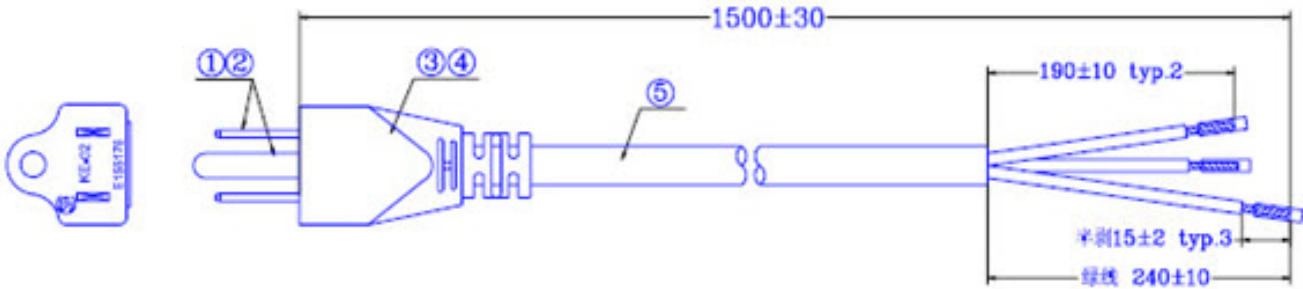
 4421 Waterfront Drive Glen Allen, VA 23060	Revision	Add HBH950 Domed Lid as Alternative Part					Rev. Date:
	Description:	DOC12547	Page:	1 of 3	Document #:	540087900	6/30/2022
	Request #:					Rev:	C

## Parts and Accessories Diagram

### HBH755

**PROPRIETARY RIGHTS NOTICE** This document and all information contained within it is the property of Hamilton Beach Brands, Inc. (HBB). It is confidential and proprietary and has been provided to you for a limited purpose. It must be returned or destroyed upon request. Disclosure, reproduction or use of this document and any information contained within it, in full or in part, for any purpose is forbidden without the prior written consent of HBB. No photographs may be taken of any article fabricated or assembled from this document without the prior written consent of HBB.

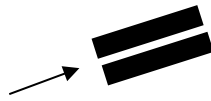
### Replacement Parts



#### Power Cord

990167500

**Motor brush set**  
990167235

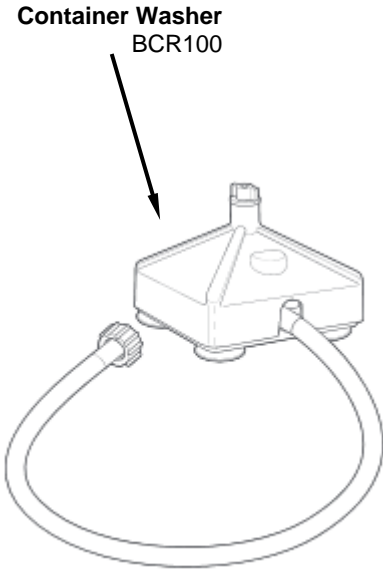


**Cutter Assembly**  
98650

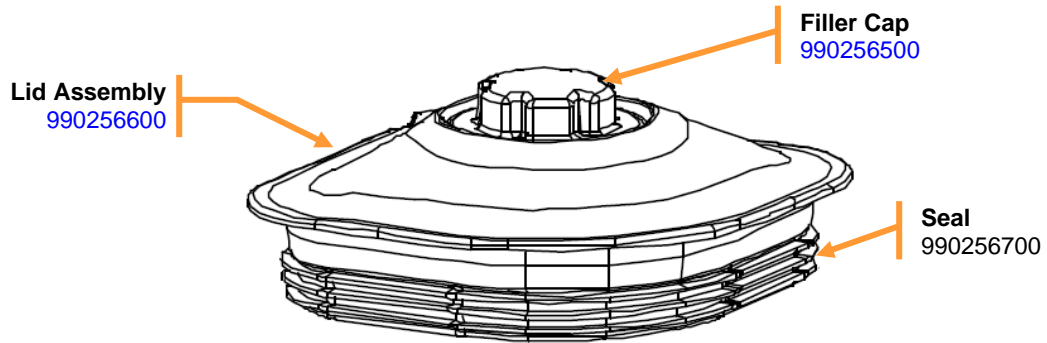
 4421 Waterfront Drive Glen Allen, VA 23060	Revision	Add HBH950 Domed Lid as Alternative Part					Rev. Date:
	Description:						6/30/2022
Request #:	DOC12547	Page:	2 of 3	Document #:	540087900	Rev:	C


Accessories  
HBH750

**PROPRIETARY RIGHTS NOTICE** This document and all information contained within it is the property of Hamilton Beach Brands, Inc. (HBB). It is confidential and proprietary and has been provided to you for a limited purpose. It must be returned or destroyed upon request. Disclosure, reproduction or use of this document and any information contained within it, in full or in part, for any purpose is forbidden without the prior written consent of HBB. No photographs may be taken of any article fabricated or assembled from this document without the prior written consent of HBB.



**Alternative Lid for improved Sealing**



 4421 Waterfront Drive Glen Allen, VA 23060	Revision	Add HBH950 Domed Lid as Alternative Part					Rev. Date:
	Description:						6/30/2022
Request #:	DOC12547	Page:	3 of 3	Document #:	540087900	Rev:	C