



VITA-PREP® AND VITA-PREP® 3

VM0101 and VM0101D

SECTIONS

English..... 1
 French 9
 Spanish 17

SYMBOLS

	Warning		Caution
	NEVER touch moving parts. Keep hands and utensils out of the container		Operate with the lid and lid plug in place
	Electric Shock Hazard		Read and understand the owner's manual
	High temperature when blending hot liquids		Do not immerse
	DO NOT insert items into the container while the blender is in use		On/Off
	Unplug while not in use, before cleaning, changing accessories or touching parts that move while the blender is in use		

RECYCLING INFORMATION

This product has been supplied from an environmentally aware manufacturer.

This product may contain substances that could be harmful to the environment if disposed of in places (landfills) that are not appropriate according to legislation.

The 'crossed-out wheelee bin' symbol is placed on this product to encourage you to recycle wherever possible.

Please be environmentally responsible and recycle this product through your recycling facility at the end of its life.



To see the complete line of Vitamix products, visit vitamix.com.

**Vita-Mix® Corporation
 Commercial Division**
 8615 Usher Road, Cleveland, Ohio 44138 U.S.A.
 Tel: +1 440 235 0214 Email: commercial@vitamix.com

⚠ WARNING



To Avoid Injury.

Read and understand the instruction manual before using this machine. Basic safety precautions should be followed, including the following.



⚠ WARNING



Electrical Shock Hazard.

ONLY use an earthed outlet.

DO NOT remove the earth.

DO NOT use an adaptor.

DO NOT use an extension cable.

Failure to follow instructions can cause death or electric shock.

READ ALL INSTRUCTIONS, SAFEGUARDS AND WARNINGS BEFORE OPERATING THE BLENDER.

1. Read all instructions.
2. Close supervision is necessary when any appliance is used by or near children or incapacitated persons.
3. This blender is not intended for use by persons with reduced physical, sensory or mental capabilities, or lack of experience and knowledge, unless they have been given supervision or instruction concerning use of the appliance by a person responsible for their safety.
4. To protect against the risk of electrical shock, do not put the blender base in water or other liquid.
5. Unplug the appliance from outlet when not in use, before putting on or taking off parts, and before cleaning.
6. Avoid contact with moving parts.
7. DO NOT operate any appliance with a damaged cable or plug, or if the appliance malfunctions or is dropped or damaged in any manner. Contact your retailer or distributor at once for examination, repair, replacement, or electrical or mechanical adjustment.
8. Alteration or modification of any part or component of the blender assembly, including the use of any part, component or accessory that is not a genuine authorised Vitamix part, may cause fire, electric shock or injury.
9. The use of attachments not expressly authorised or sold by Vitamix for use with this blender, including preserving jars, may cause fire, electric shock or injury.
10. If your machine is equipped with a variable-speed functionality, always start at lowest speed setting.
11. DO NOT use the appliance for purposes other than its intended use.
12. The maximum normal load is equivalent to the ounces (liters) listed on the container, i.e. 64 oz. / 2.0 Ltr., 48 oz. / 1.4 Ltr. and substantially less with thick mixtures.
13. DO NOT use outdoors.
14. DO NOT let the cable hang over the edge of the table or work surface or make contact with hot surfaces, including the hob.
15. Keep hands and utensils out of the container while blending to reduce the risk of severe injury to persons, or damage to the blender. The tamper can be used during blending in the container. A rubber scraper or spatula may be used, but only when the blender is not running. Do not leave a tamper, scraper or any other utensil in the container either when running or when the motor is stopped.
16. Blades are sharp. When cleaning the container, use care to avoid injury.
17. To reduce the risk of injury, never place the blade assembly on the motor base unless assembled to the container.
18. DO NOT leave foreign objects, such as spoons, forks, knives or the lid plug, in either container as this will damage the blades and other components when starting the machine, and may cause injury.
19. Never attempt to operate the blender with damaged blades.
20. The lid and lid plug MUST be firmly in place during blending. The lid plug should be removed only when adding ingredients and when using the tamper.
21. When making nut butters use tamper to shorten processing time. When blending oil-based foods, do not process for more than one minute after the mixture starts to circulate in the container. Processing for longer periods can cause damage to the container and motor overheating.
22. Do NOT expose the container to temperatures over 210°F (99°C). Do NOT expose the container to hot liquids or ingredients over 210°F (99°C).
23. Do not leave blender unattended when in use.
24. Use caution. Escaping steam or splashes may scald. Never start on the highest speed when blending hot ingredients.
25. The lid plug should be removed only when adding ingredients and when using the tamper.
26. Always start the blender with the variable speed dial set to 1 and the High/Low switch in the low position. Never start on speeds above 1 or with the High/Low Switch in the high position when blending hot liquids to avoid possible burns.

**SAVE THESE INSTRUCTIONS
IMPORTANT NOTES!**

The instructions appearing in this Use and Care Manual cannot cover every possible condition and situation that may occur. Common sense and caution must be practiced when operating and maintaining any appliance.

IMPORTANT INSTRUCTIONS FOR SAFE USE

Do not leave your Vitamix blender unattended when operating. Any repair and servicing, or the replacement of parts, must be performed by Vitamix or an authorised service representative.

NOTICE: FAILURE TO FOLLOW ANY OF THE IMPORTANT SAFEGUARDS AND IMPORTANT INSTRUCTIONS FOR SAFE USE IS A MISUSE OF YOUR VITAMIX BLENDER THAT CAN VOID YOUR WARRANTY AND CREATE THE RISK OF SERIOUS INJURY.

Maintaining your Vitamix® Blender

In order to maximize the life of and keep your Vitamix® product in good working order, it is important that you follow a few simple maintenance tips:

1. Periodically inspect the drive socket for visible wear and tear, cracks, or breaks to the socket. If damage is found, replace the drive socket with the extra drive socket enclosed with your blender. To purchase additional replacement drive sockets contact Vita-Mix® Corporation (hereinafter "Vitamix") at 1-800-437-4654. For customers outside the U.S.A., contact your authorized Vitamix Distributor, or call the Vitamix International Division at +1.440.782.2450 or email commercial@vitamix.com (US & Canada) international@vitamix.com (outside of US and Canada) for assistance.
2. Manually rotate the blade bearing assembly to make sure it turns without hesitation or doesn't spin too freely. If the blade hesitates or spins too freely, contact Vitamix for warranty information or a dealer near you.
3. Never run the machine without the centering pad properly placed on the base and never remove the container from the base before blades have stopped moving.

Limited Warranty - (Unless otherwise covered by Contract)

Vita-Mix® Corporation (hereinafter "Vitamix") warrants to the original end-user ("Purchaser") that its commercial Vitamix blenders (consisting of a motor base, container and lid, hereinafter collectively referred to as the "Equipment") will be free from defects in material and workmanship for the warranty periods applicable to the Equipment as described herein and subject to the conditions set forth below. Proof of purchase is required.

The following are the sole remedies of the Purchaser and set forth the only warranty obligations of Vitamix.

No employee of Vitamix or any other person is authorized to make any warranty in addition to or amendment of the following warranties.

What is Covered Under Warranty

A. Motor Base (which includes the control board and touch pad) Warranty

Vitamix warrants to the original end-user that:

- If the motor base fails due to defects in material or workmanship within thirty (30) days from the date of purchase, then Vitamix will replace the motor base with a new motor base.
- If the motor base fails due to defects in material or workmanship after thirty (30) days from the date of purchase but within one (1) year from the date of purchase, then Vitamix will assume the cost of all parts and labor necessary to repair the motor base.
- If the motor base fails due to defects in material or workmanship after the first year but within three (3) years from the date of purchase, then Vitamix will assume the cost of all parts necessary to repair the motor base.

B. Container, Lid, Lid Plug, Centering Pad Blade Assembly, Drive Socket, and Sound Enclosure (if included) Warranty.

Vitamix warrants to the original end-user that if a sound enclosure, container, lid, blade assembly, or drive socket fails due to a defect in materials or workmanship within one (1) year from the date of purchase, Vitamix will assume the cost of all parts and labor necessary to repair the component.

The sole obligation of Vitamix under these warranties is to repair or replace the warranted part or parts as determined exclusively by Vitamix.

IN NO EVENT, WHETHER BASED ON CONTRACT, INDEMNITY, WARRANTY, TORT (INCLUDING NEGLIGENCE), STRICT LIABILITY OR OTHERWISE, SHALL VITAMIX BE LIABLE FOR ANY SPECIAL, INDIRECT, INCIDENTAL OR CONSEQUENTIAL DAMAGES WHATSOEVER, INCLUDING, WITHOUT LIMITATION, LOSS OF PROFIT OR REVENUE. THE ABOVE LIMITED WARRANTY IS YOUR EXCLUSIVE REMEDY, AND YOU AND VITAMIX HEREBY EXPRESSLY DISCLAIM ALL OTHER WARRANTIES OR CONDITIONS, EXPRESS OR IMPLIED, STATUTORY OR OTHERWISE, INCLUDING ANY IMPLIED WARRANTY OF MERCHANTABILITY AND ANY IMPLIED WARRANTY OF FITNESS FOR A PARTICULAR PURPOSE, AND, WITHOUT LIMITING THE GENERALITY OF THE FOREGOING, YOU AND VITAMIX HEREBY EXPRESSLY EXCLUDE, TO THE EXTENT PERMITTED BY LAW, THE APPLICATION OF ANY SALE OF GOODS LEGISLATION AND THE UNITED NATIONS CONVENTION ON CONTRACTS FOR THE INTERNATIONAL SALE OF GOODS, AS MAY BE APPLICABLE.

Some jurisdictions do not allow a limitation on implied warranties or on special, incidental or consequential damages.

What is Not Covered Under Warranty (Coverage Exclusions)

These warranties do not include repairs needed due to:

- A. Normal wear-and-tear;
- B. Abuse, misuse, negligent use;
- C. Alteration of the Equipment including but not limited to the motor base, container, lid or sound enclosure;
- D. Exposure to extreme conditions; or
- E. Improper installation of the Equipment, including but not limited to poor workmanship, not following specifications provided and/or inadequate ventilation of the "in-counter" models of the blending unit.

When do the Warranties Apply (Coverage Conditions)

The warranties contained herein run only to the original end-user and are not transferable. To make a warranty claim, proof of purchase is required.

Any warranty offered by Vitamix is only valid if used in accordance with: a) the owner's manual that may also be accessed at www.vitamix.com; b) the express warranty; and c) any and all maintenance instructions regardless of when they are supplied.

What Causes the Warranty to be Void

All product warranties are void if:

- The blender is placed in a sound enclosure not manufactured by Vitamix.
- Any component of a covered piece of Equipment or part has been modified, altered, "reconditioned" or repaired by persons someone other than Vitamix, an authorized Vitamix Service Center or an authorized Vitamix Distributor.
- Any covered Vitamix component is used with a component not expressly authorized in writing by Vitamix (i.e. using a Vitamix container with a non-Vitamix motor base and/or using a Vitamix motor base with a non-Vitamix container); or
- Any part of the blender is improperly installed, including but not limited to poor workmanship, not following specifications provided and/or inadequate ventilation of the "in-counter" models.

How to Obtain Warranty Coverage and Repair

Who to Contact For Warranty Service and Repair. In the event your Vitamix blender needs service or repair covered by the terms of this warranty, please call the Vita-Mix Corporation, an authorized service center or a local distributor for warranty assistance.

- For Equipment purchased and located in the US and Canada, call Vitamix Commercial Customer Service at: 800-437-4654.
- For Equipment purchased outside US and Canada, contact your authorized Vitamix Distributor, or contact the Vitamix International Division at +1.440.782.2450.
- Email contacts: in the US and Canada: commercial@vitamix.com or outside of the US and Canada: international@vitamix.com.

You will be asked to provide proof of purchase for the Equipment. If the remote technical support team cannot fix the Equipment remotely, the Equipment will need to be serviced. The team will help you either locate an authorized service center or arrange for the Equipment to be shipped back to Vitamix.

How to Ship the Equipment to Vitamix for Service

- A. Obtain a Return Authorization Number Before Shipment. Do not return or send in Equipment without the approval from Vitamix. Under no circumstances will Vitamix be responsible for the cost of any unauthorized repairs. All Equipment returns must have the Return Authorization Number ("RA") clearly marked on the outside of the box. Any Equipment that is sent to Vitamix without prior authorization or approval will be returned to the shipper's address "as is" without repair.
- B. Properly Package The Returned Item. Any item sent to Vitamix must be sent in original or sufficient packaging.

SPECIFICATIONS

Vita-Prep

Volts: 120 VAC

Amps: 11.5 (2.3 peak hp*)

Hz: 50/60

Vita-Prep 3

Volts: 120 VAC

Amps: 13 (3 peak hp*)

Hz: 50/60

PARTS AND FEATURES

1 Control Panel: For more information, refer to Control Panel.

⚠ CAUTION: Lids and tampers are not interchangeable between different container styles, types and sizes.

2 64-oz. capacity container with 2-part lid:

- **Always use the lid and the lid plug when the machine is operating.**
- **Never operate the blender without the lid securely locked in place.**
- Ounces, Milliliters and Cups are clearly marked.
- Insert the lid plug through the lid and secure by turning clockwise.
- Remove the lid plug to use the tamper or to add ingredients.

3 Tamper: Using the tamper maintains circulation by preventing air pockets from forming.

4 Two Piece Lid: (lid and lid plug)

To Lock the Lid in Place: The lid must always be secured when processing, especially hot liquids that may scald. **Never operate the blender without the lid securely locked in place.** The lid has a continuous rim which latches inside the container tabs. Push one side of the rim under one tab and push down over the opposite tab to snap the lid into position.

To Remove the Lid: Place hands around the lid, pressing thumbs above one of the container tabs. Push in and lift off.

To Remove the Lid Plug: Rotate the lid plug counterclockwise from the “locked” to “unlocked” position and lift out.

5 Power Cord: The blender's power cord comes equipped with a three-prong (grounding) plug which mates with a standard three-prong wall outlet. This cord will vary for countries outside the United States of America.

Adapters are available for two-prong outlets. Do not cut or remove the third (ground) prong from the plug or power cord. Consult your electrician if you are not sure if the wall outlet is grounded through the building wiring. With a properly grounded two-prong wall outlet, ground the machine by attaching the tab on the adapter to the wall outlet cover by means of the screw in the center of the cover.

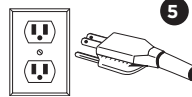


FIGURE A

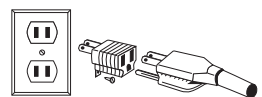


FIGURE B

CONTROL PANEL

- 1. On/Off Switch:** This is a lighted switch. When the switch is lit, the power is on. Located on the front of the machine below the control panel (Figure A). The On/Off switch controls the power to the machine. While plugged in, switch to on to ready the machine for blending. Shut off the power switch at night or whenever the machine will be left unattended.
- 2. Start / Stop Switch:** Depress the start switch to begin blending. Depress the switch again to stop the blend.
- 3. High/Variable Switch:** High (Δ) is the fastest speed available. Switch to Variable (∇) to activate the variable speeds. **Always make sure that the High/Variable Switch is set to Variable (∇) before moving the On/Off Switch to the On (I) position.** Do not start your machine on High (Δ).
- 4. Variable Speed Dial:** Selects many speed settings. It is active only when the High/Variable Switch is set in the Variable (∇) position.



Note: Your machine's control panel may look different from this illustration.

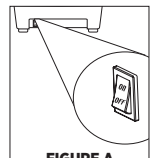


FIGURE A

⚠ CAUTION



Rotating Blades Can Cause Damage.

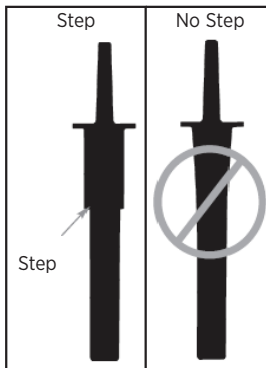
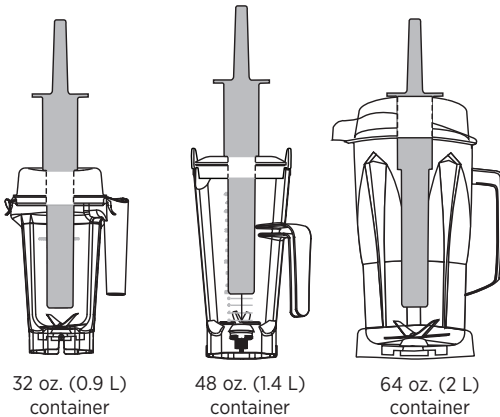
Lids and tampers are not interchangeable between different container styles, types, and sizes. Use the tamper that was supplied with your machine.

How to Determine the Tamper that Can Be Used with Your Container

The tamper is designed to be used safely and efficiently with the commercial containers. **If a tamper came with your container, it is the correct tamper for the container.**

To verify that you are using the correct tamper, place the lid on an empty container, remove the lid plug and insert the tamper. The tamper should fit easily into the lid opening but not make contact with the blades no matter how you move the tamper inside the container. **IF THE TAMPER TOUCHES THE BLADES AT ANY ANGLE - DO NOT USE THE TAMPER WITH YOUR CONTAINER.**

If you do not have the correct tamper for your container, contact Vitamix Customer service in the US and Canada at 800-437-4654 or email commercial@vitamix.com. Outside of the US and Canada at +1.440.782.2450 or email international@vitamix.com. If technical assistance is needed, email: commercialts@vitamix.com.



⚠ WARNING



Rotating Blades Can Cause Severe Injury.

DO NOT put hands, spatulas, etc. in the container while the machine is running or while the container is still on the base.

Lids and tampers are not interchangeable between different container styles, types, and sizes. Use the tamper that was supplied with your machine.

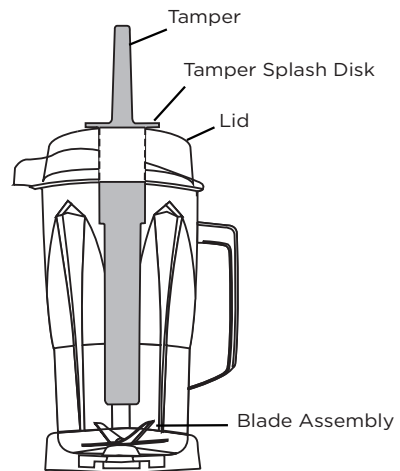
Do not force the tamper into the 32 oz. Container.

Do not use a tamper without a step in any Vitamix commercial container.



IMPORTANT!

- The splash disk (near the top of the tamper) and lid prevent the tamper from hitting the blades when the lid is secured properly in the locked position.
- The container should not be more than two-thirds full when the tamper is used during blending.
- If the food does not circulate, the machine may have trapped an air bubble. Carefully remove the lid plug while making sure the lid stays firmly in place. Release the air bubble by inserting the tamper through the lid plug opening. Continue to use the tamper to press ingredients into the blade to shorten processing time.
- Holding the tamper straight down may not help the ingredients circulate. If necessary, point the tamper toward the sides or corners of the container. **DO NOT** try to force the tamper deeper into the container.



⚠ WARNING



Do NOT expose the container to temperatures over 210°F (99°C). Do NOT expose the container to hot liquids or ingredients over 210°F (99°C).



Do not leave blender unattended when in use.

Use caution. Escaping steam or splashes may scald. Never start on the highest speed when blending hot ingredients.

The lid plug should be removed only when adding ingredients and when using the tamper.

Always start the blender with the variable speed dial set to 1 and the High/Low switch in the low position. Never start on speeds above 1 or with the High/Low Switch in the high position when blending hot liquids to avoid possible burns.

Best Blend Quality and Machine Performance - Ingredient Temperature:

Freezer temperature: 0° F (-17.7° C)

Note: blending ingredients at a temperature less than 0° F (-17.7° C) is not recommended.

- **Process on the High (Δ) setting for as much of the processing time as possible to make whole food juices, soups, shakes, frozen mixtures, purées, nut butters and for grinding grains. Processing times will generally be less than one minute (most take less than 30 seconds).**
- **TIP: Blending too long at too low a speed setting will overheat the machine and cause the Automatic Overload Protection to turn the machine off. Blending on High (Δ) uses the motor's cooling fan to avoid overheating.**
- When on the High (Δ), if the food does not circulate, carefully remove the lid plug while making sure the lid stays firmly in place. Release the mixture by inserting the tamper through the lid plug opening. If circulation problems continue, reduce the machine speed. A lower speed may allow food to circulate when a higher speed does not. Add liquid if necessary. DO NOT overfill. Once the food is circulating freely, increase the speed back to High (Δ) and continue processing.
- When making nut butters use tamper to shorten processing time. When blending oil-based foods, do not process for more than one minute after the mixture starts to circulate in the container. Processing for longer periods can cause damage to the container and motor overheating.
- Due to the machine's speed, processing times are much quicker than standard appliances.
- **Automatic Overload Protection:** Your Vitamix motor is designed to protect itself from overheating. If the motor shuts off, press the On/Off switch to Off. Turn the power switch on after 5 minutes to check if blender is reset and ready to operate. The blender might require up to 45 minutes to reset.

1. Make sure that the Variable Speed Dial is set to 1.
2. Load the container before placing it on the motor base. Place liquids and soft foods in the container first, solid items and ice last.
3. Securely fasten the 2-part lid. Always use the complete 2-part lid when blending (unless the tamper is inserted through the lid plug opening). When blending hot ingredients, make sure the lid is securely latched.
4. With the motor off, set the wet blade container on the motor base by aligning it over the centering pad. Do not attempt to put a container on an operating motor base or to operate a motor base without a container properly in place.

5. Start with the High/Variable Switch in the Variable (Δ) position. Always start your machine on variable speed 1. Activate the machine by turning the On/Off Switch to On. Press the Start/Stop switch. Slowly increase to the desired speed. Your container will shift and get into an aligned position.

6. **Take proper care when handling and processing hot ingredients and making hot soups and sauces.**

7. After turning the machine off, wait until the blades completely stop before removing the lid or container from the motor base.

CARE AND CLEANING

⚠ WARNING



Electrical Shock Hazard.

Disconnect power before cleaning machine.



Failure to follow instructions can cause death or electrical shock.

Normal Cleaning:

1. Fill the container half full with warm water and add a couple drops of liquid dish washing detergent to the container. Snap or push the complete 2-Part lid into locked position.
2. Select variable speed 1. Turn machine on and slowly increase speed to variable speed 10, then to High. Run the machine on High speed for 30 to 60 seconds.
3. Turn the machine off. Rinse and drain the container.

To Sanitize:

1. Complete the Normal Cleaning instructions above.
2. Fill the container half full with water and 1-1/2 teaspoons of liquid bleach. Snap or push the complete 2-Part lid into locked position.
3. Select variable speed 1. Turn machine on and slowly increase speed to variable speed 10, then to High. Run the machine on High speed for 30 to 60 seconds.
4. Turn off the machine, and allow mixture to stand in the container for an additional 1-1/2 minutes.
5. Pour bleach mixture out. Allow container to air dry. Do not rinse after sanitizing.

Lid, Lid Plug and Tamper

Separate the lid and lid plug. Wash the parts in warm soapy water. Rinse clean under running water, and dry. Reassemble before use.

Motor Base:

1. Unplug the power cord.
2. Wash the outside surface with a damp soft cloth or sponge, which has been rinsed in a mild solution of liquid detergent and warm water. Do not place the motor base in water.
3. The centering pad can be removed for more thorough cleaning.
4. Thoroughly clean the switches so they work freely. They may become sticky from use. Moisten a cotton swab with a household degreaser or cleaner and clean the grooves around the switches. Immediately dry all surfaces.
5. Polish with a soft cloth.

TROUBLESHOOTING

Problems:	Possible Actions:
<ul style="list-style-type: none"> • Increased vibration • Leaking from the bottom of the container • Increased container noise 	<ol style="list-style-type: none"> a. Check the blade assembly for loose, damaged or nicked components and replace. b. Tighten the retainer nut with the retainer nut spanner, moving clockwise until it is snug.
<ul style="list-style-type: none"> • Machine will not run 	<ol style="list-style-type: none"> a. Double-check to make sure that the power cable is firmly in the power socket. b. Check to make sure that the switches are clean and moving freely. c. The thermal protector may have shut the machine off. If the motor shuts off, press the On/Off switch to Off. Turn the power switch On after 5 minutes to check if blender is reset and ready to operate. The blender might require up to 45 minutes to reset.
<ul style="list-style-type: none"> • Loud noise from blades • Blades don't spin 	<ol style="list-style-type: none"> a. Drive socket may be broken. Check for a fine crack down the center, or worn teeth, replace with a new drive socket (Item No. 891). Instructions are included with the part. b. Blade bearings need to be replaced. Spin the blades using the drive spindle at the bottom of the container. If the blades spin freely with no resistance, replace the blade assembly.
<ul style="list-style-type: none"> • The machine will not run when the Start/Stop switch is activated 	<p>Check the On/Off switch to make sure that the switch is in the on position. Note: The Start/Stop switch is lit when the power is on.</p>

If you cannot fix your machine with these suggestions, technical help is available by calling Vitamix® technical support on +1 800 886 5235. If you purchased your equipment outside the U.S.A., contact your local Vitamix Distributor or telephone the Vitamix International Division on +1 440 782 2450 or email international@vitamix.com to find a distributor in your country. For online help, visit www.vitamix.com/commercial.

IMPORTANT NOTES!

NOTE: The thermal protector may have shut the machine off. If the motor shuts off, press the On/Off switch to Off. Turn the power switch On after 5 minutes to check if blender is reset and ready to operate. The blender might require up to 45 minutes to reset. Cooling may be quickened by placing the motor base in a cool spot. Unplug first. To speed up the process, try circulating the air with a vacuum or fan aimed at the bottom of the base. When the thermal protector shuts off the motor, review your processing techniques and your instructions.

Your recipes may be too thick (add liquid), be processed for too long at too low a speed setting, or have too much material in them. If the motor seems to be overheating but the thermal protector has not turned the machine off, stop the machine and remove the container from the base.



Vita-Mix® Corporation
8615 Usher Road
Cleveland, OH 44138 U.S.A.

vitamix.com












©2017 Vita-Mix® Corporation. No part of this publication may be reproduced or transmitted in any form or by any means or stored in a database or retrieval system without the written permission of the Vita-Mix® Corporation.

123296_REV A 2/17 ENG/FC/SPA

SECTIONS

Anglais	1
Français.....	9
Espagnol.....	17

SYMBOLES

	Avertissement		Attention
	Évitez TOUT contact avec les pièces mobiles. Conservez les mains et ustensiles à l'extérieur du récipient		Faites fonctionner l'appareil uniquement lorsque le couvercle et le bouchon du couvercle sont en place
	Risque de décharge électrique		Lisez et comprenez bien le manuel d'utilisation
	Température élevée lors du mélange de liquides chauds		N'immergez pas l'appareil
	N'insérez RIEN dans le récipient lorsque le mélangeur est en marche		Marche/arrêt
	Débranchez l'appareil lorsqu'il n'est pas utilisé, avant de le nettoyer et avant de changer des accessoires ou de manipuler des pièces qui bougent lorsque le mélangeur est en marche		

INFORMATIONS RELATIVES AU RECYCLAGE

Ce produit a été fourni par un fabricant soucieux de l'environnement.

Ce produit est susceptible de contenir des substances nocives pour l'environnement si ces dernières sont éliminées dans des endroits (décharges) qui ne sont pas appropriés selon la législation.

Le symbole de la poubelle sur roues barrée se trouve sur ce produit pour vous encourager à recycler dans la mesure du possible.

Veuillez respecter l'environnement et recycler ce produit dans vos installations de recyclage à la fin de sa vie.



⚠ AVERTISSEMENT**Pour éviter les blessures**

Assurez-vous d'avoir lu et compris le manuel d'instructions de l'appareil avant son utilisation. Des mesures de sécurité de base doivent être appliquées, y compris les suivantes.

**⚠ AVERTISSEMENT****Risque de décharge électrique.**

N'utilisez QUE des prises mises à la terre.

NE RETIREZ PAS la mise à la terre.

N'UTILISEZ PAS d'adaptateur.

N'UTILISEZ PAS de rallonge.

Le non-respect de ces instructions peut entraîner la mort ou causer une décharge électrique.

LISEZ TOUTES LES INSTRUCTIONS, TOUTES LES CONSIGNES DE SÉCURITÉ ET TOUS LES AVERTISSEMENTS AVANT D'UTILISER LE MÉLANGEUR.

1. Lisez toutes les instructions.
2. Une surveillance étroite est toujours requise lorsqu'un appareil est utilisé par des enfants ou des personnes à capacités réduites, ou à proximité de ces personnes.
3. Ce mélangeur ne doit pas être utilisé par des personnes dont les capacités physiques, sensorielles ou mentales sont réduites ou des personnes n'ayant pas l'expérience et les connaissances suffisantes, sauf si elles sont surveillées ou si elles ont reçu des instructions sur l'utilisation de l'appareil par une personne en charge de leur sécurité.
4. Pour prévenir les risques de décharge électrique, ne placez pas le socle du mélangeur dans l'eau ou tout autre liquide.
5. Débranchez l'appareil lorsqu'il n'est pas utilisé, avant d'installer ou d'enlever des pièces, et avant de le nettoyer.
6. Évitez tout contact avec les pièces en mouvement.
7. N'utilisez PAS un appareil dont la fiche ou le câble est endommagé ni un appareil qui ne fonctionne pas correctement, qui est tombé ou qui a été endommagé de quelque façon que ce soit. Communiquez avec votre détaillant ou distributeur sans tarder si un examen, une réparation, un remplacement ou un réglage électrique ou mécanique est requis.
8. L'altération ou la modification de toute pièce ou composant du mélangeur, y compris l'utilisation de toute pièce, de tout composant ou de tout accessoire non expressément autorisé(e) par Vitamix peut provoquer un incendie, une décharge électrique ou des blessures.
9. L'utilisation d'accessoires qui ne sont pas expressément autorisés ou vendus par Vitamix pour être utilisés avec ce mélangeur, y compris les bocaux de mise en conserve, peut provoquer un incendie, une décharge électrique ou des blessures.
10. Si votre appareil possède plusieurs vitesses, commencez toujours par la plus basse.
11. N'utilisez cet appareil qu'aux fins pour lesquelles il est prévu.
12. La charge normale maximale est équivalente aux onces (littres) indiquées sur le récipient, c'est-à-dire 64 onces. / 2,0 l, 48 oz. / 1,4 l et beaucoup moins avec les préparations épaisses.
13. N'utilisez PAS l'appareil à l'extérieur.
14. NE laissez PAS le câble de l'appareil pendre le long de la table ou de la surface de travail ni entrer en contact avec une surface chaude et notamment la plaque chauffante.
15. Gardez les mains et les ustensiles à l'extérieur du récipient pendant le fonctionnement du mélangeur afin de réduire le risque de blessures corporelles graves ou d'endommager le mélangeur. Vous pouvez utiliser le pilon avec le récipient pendant le fonctionnement de l'appareil. Vous pouvez utiliser un grattoir ou une spatule en caoutchouc, mais uniquement lorsque le mélangeur ne fonctionne pas. Ne laissez aucun pilon, grattoir ou autre ustensile dans le récipient, que ce soit pendant le fonctionnement de l'appareil ou lorsque le moteur est arrêté.
16. Les couteaux sont tranchants. Nettoyez le récipient avec prudence afin d'éviter tout risque de blessure.
17. Afin de réduire les risques de blessure, ne placez le bloc de coupe sur le socle-moteur que lorsque ce dernier est fixé au récipient.

18. NE laissez PAS d'objets étrangers, comme des cuillères, des fourchettes, des couteaux ou le bouchon du couvercle, dans le récipient, car cela peut endommager les couteaux et d'autres composants lors du démarrage de l'appareil et causer des blessures.
19. N'essayez jamais d'utiliser le mélangeur si les couteaux sont endommagés.
20. Le couvercle et le bouchon du couvercle doivent être fermement en place pendant le fonctionnement de l'appareil. Ne retirez le bouchon du couvercle que pour ajouter des ingrédients et pour utiliser le pilon.
21. Lorsque vous préparez des beurres de noix, utilisez le pilon afin de réduire le temps de mélange. Lorsque vous préparez des produits alimentaires à base d'huile, ne faites pas fonctionner l'appareil plus d'une minute après que le mélange a commencé à circuler dans le récipient. Le fait de faire fonctionner l'appareil pendant de plus longues périodes peut endommager le récipient et faire surchauffer le moteur.
22. N'exposez PAS le récipient à des températures supérieures à 210 °F (99 °C). N'exposez PAS le récipient à des liquides ou ingrédients chauds d'une température de plus 210 °F (99 °C).
23. Ne laissez pas le mélangeur sans surveillance lorsque ce dernier est en marche.
24. Soyez prudent. La vapeur s'échappant ou les éclaboussures peuvent ébouillanter. Ne commencez jamais à mélanger des ingrédients chauds à des vitesses élevées.
25. Ne retirez le bouchon du couvercle que pour ajouter des ingrédients et pour utiliser le pilon.
26. Démarrez toujours le mélangeur avec la vitesse réglée sur 1 et l'interrupteur de vitesse Haute/Basse en position Basse. Ne commencez jamais à une vitesse supérieure à 1 ou avec l'interrupteur Haute/Basse en position Haute lorsque vous mélangez des liquides chauds afin d'éviter tout risque de brûlure.

CONSERVEZ CES INSTRUCTIONS**NOTES IMPORTANTES!**

Les instructions figurant dans ce Manuel d'utilisation et d'entretien ne visent pas à couvrir toutes les conditions et situations possibles. Il faut faire preuve de bon sens et de prudence lors de l'utilisation et de l'entretien de tout appareil.

INSTRUCTIONS IMPORTANTES POUR UNE UTILISATION SÉCURITAIRE

Ne laissez pas votre mélangeur Vitamix sans surveillance lorsqu'il est en marche.

L'entretien, les réparations et le remplacement des pièces doivent être effectués par Vitamix ou un technicien autorisé.

AVIS : LE NON-RESPECT DE TOUTE CONSIGNE DE SÉCURITÉ IMPORTANTE OU DE TOUTE INSTRUCTION IMPORTANTE VISANT UNE UTILISATION SÉCURITAIRE CONSTITUE UNE UTILISATION INAPPROPRIÉE DE VOTRE MÉLANGEUR VITAMIX SUSCEPTIBLE D'ANNULER VOTRE GARANTIE ET DE CAUSER DE GRAVES BLESSURES.

Entretien de votre mélangeur Vitamix®

Afin d'optimiser la durée de vie et de garder votre produit Vitamix® en bon état de marche, il est important que vous suiviez quelques conseils d'entretien :

1. Vérifiez régulièrement que la prise d'entraînement ne présente pas de traces d'usure, de fissures ou de cassures. Si la prise d'entraînement est endommagée, remplacez-la par la prise d'entraînement supplémentaire fournie avec votre mélangeur. Pour acheter de nouvelles prises d'entraînement, communiquez avec Vita-Mix® Corporation (ci-après dénommé « Vitamix ») au 1 800 437-4654. Pour les clients en dehors des États-Unis, communiquez avec votre distributeur autorisé de Vitamix ou avec la Division internationale de Vitamix par téléphone au +1 440 782-2450 ou par courriel à commercial@vitamix.com (États-Unis et Canada) international@vitamix.com (hors États-Unis et Canada) pour obtenir de l'aide.
2. Faites pivoter manuellement le bloc de roulement de coupe afin de vous assurer qu'il tourne sans difficulté mais pas trop librement. Si le couteau a des difficultés à tourner ou tourne trop librement, communiquez avec Vitamix afin d'en savoir plus sur les conditions de garantie ou pour connaître le revendeur le plus proche de chez vous.
3. Ne mettez jamais en marche l'appareil si la pièce de centrage n'est pas correctement placée sur le socle et ne retirez jamais le récipient du socle tant que les couteaux ne sont pas immobilisés.

Garantie limitée - (Sauf indication contraire dans le Contrat)

Vita-Mix® Corporation (ci-après dénommée « Vitamix ») garantit à l'utilisateur final original (« Acheteur ») que ses mélangeurs commerciaux Vitamix (consistant en un socle-moteur, un récipient et un couvercle, ci-après collectivement dénommés le « Matériel ») ne présenteront aucun défaut lié au matériel ou à la main-d'œuvre pour les périodes de garantie applicables au Matériel telles que décrites aux présentes et en vertu de conditions définies ci-après. Il est obligatoire de présenter une preuve d'achat.

Les paragraphes suivants exposent les recours exclusifs de l'Acheteur et énoncent les seules obligations de Vitamix au titre de la garantie.

Aucun employé de Vitamix ni aucune autre personne ne sont autorisés à donner d'autres garanties ou à apporter des modifications aux garanties qui suivent.

Quels sont les éléments couverts par la garantie?**A. Garantie du socle-moteur (comprenant le panneau de commande et le pavé tactile)**

Vitamix donne les garanties suivantes à l'Acheteur :

- Si le socle-moteur ne fonctionne plus à cause d'un défaut lié au matériel ou à la main-d'œuvre dans les trente (30) jours suivant la date d'achat, Vitamix remplacera le socle-moteur par un nouveau socle-moteur.
- Si le socle-moteur ne fonctionne plus à cause d'un défaut lié au matériel ou à la main-d'œuvre entre trente (30) jours et un (1) an après la date d'achat, Vitamix prendra en charge le coût de toutes les pièces et de la main-d'œuvre nécessaires à la réparation du socle-moteur.
- Si le socle-moteur ne fonctionne plus à cause d'un défaut lié au matériel ou à la main-d'œuvre entre un et trois (3) ans après la date d'achat, Vitamix prendra en charge le coût de toutes les pièces nécessaires à la réparation du socle-moteur.

B. Garantie du récipient, du couvercle, du bouchon du couvercle, de la pièce de centrage, du bloc de coupe, de la prise d'entraînement et du boîtier d'insonorisation (si fourni). Vitamix garantit à l'Acheteur que si un boîtier d'insonorisation, un récipient, un couvercle, un bloc de coupe ou une prise d'entraînement ne fonctionne plus à cause d'un défaut lié au matériel ou à la main-d'œuvre dans les un (1) an suivant la date d'achat, Vitamix prendra en charge le coût de toutes les pièces et de la main-d'œuvre nécessaires à la réparation du composant.

La seule obligation de Vitamix en vertu de ces garanties consiste à réparer ou remplacer la ou les pièces sous garantie sur sa décision exclusive.

EN AUCUN CAS, QUE CE SOIT RELATIVEMENT AU CONTRAT, À UN REMBOURSEMENT, À UNE GARANTIE, À UN TORT (Y COMPRIS UNE NÉGLIGENCE), À UNE RESPONSABILITÉ STRICTE OU AUTRE, VITAMIX NE POURRA ÊTRE TENUE RESPONSABLE DE TOUS DOMMAGES PARTICULIERS, INDIRECTS OU CONSÉCUTIFS, INCLUANT, SANS S'Y LIMITER, LA PERTE DE BÉNÉFICES OU DE REVENUS. LA GARANTIE LIMITÉE CI-DESSUS CONSTITUE VOTRE UNIQUE RECOURS, ET VOUS ET VITAMIX RÉFUTEZ EXPRESSÉMENT PAR LES PRÉSENTES TOUTE AUTRE GARANTIE OU CONDITION, EXPRESSE OU IMPLICITE, RÉGLEMENTAIRE OU AUTRE, INCLUANT TOUTE GARANTIE IMPLICITE DE QUALITÉ MARCHANDE OU GARANTIE IMPLICITE D'ADÉQUATION À UN USAGE PARTICULIER ET, SANS RESTREINDRE LA PORTÉE DE CE QUI PRÉCÈDE, VOUS ET VITAMIX RÉFUTEZ EXPRESSÉMENT PAR LES PRÉSENTES, DANS LA MESURE OÙ LE PERMET LA LOI, L'APPLICATION DE TOUTE LÉGISLATION RELATIVE À LA VENTE DE BIENS ET DE LA CONVENTION DES NATIONS UNIES SUR LES CONTRATS DE VENTE INTERNATIONALE DE MARCHANDISES, SI APPLICABLES.

Certains pays rejettent toute limitation concernant les garanties implicites ou les dommages spéciaux, accessoires ou consécutifs.

Quels sont les éléments non couverts par la garantie (exclusions)?

Cette garantie ne couvre pas les réparations rendues nécessaires par :

- A. l'usure normale;
- B. l'abus, l'utilisation inappropriée, la négligence;
- C. l'altération du Matériel, incluant, mais sans se limiter à, le socle-moteur, le récipient, le couvercle ou le boîtier d'insonorisation;
- D. l'exposition à des conditions extrêmes;
- E. la mauvaise installation du Matériel, incluant, mais sans se limiter à, un mauvais travail, un non-respect des consignes fournies et/ou une ventilation inadaptée des modèles « Comptoir » de l'appareil de mélange.

Conditions d'application des garanties (conditions de couverture)

La présente garantie ne s'applique qu'à l'Acheteur et n'est pas transférables. En cas de réclamation au titre de la garantie, une preuve d'achat est exigée.

Toute garantie accordée par Vitamix n'est valable que si l'Équipement est utilisé conformément :

- a) au guide d'utilisation, qui peut également être obtenu sur www.vitamix.com; b) à la garantie explicite et c) à l'intégralité des directives d'entretien, quel que soit le moment où elles sont données.

Conditions d'annulation de la garantie

Toutes les garanties sur le produit sont annulées dans les cas suivants :

- le mélangeur est placé dans un boîtier d'insonorisation non fabriqué par Vitamix.
- un composant d'une pièce sous garantie du Matériel a été modifié, transformé, « remis en état » ou réparé par des entités autres que Vitamix, un centre de service autorisé de Vitamix ou un distributeur autorisé de Vitamix.
- un composant Vitamix sous garantie est utilisé avec un composant non expressément autorisé par écrit par Vitamix (par exemple en cas d'utilisation d'un récipient Vitamix avec un socle-moteur non Vitamix et/ou d'un socle-moteur Vitamix avec un récipient non Vitamix);
- l'une des pièces du mélangeur n'est pas correctement installée incluant, mais sans se limiter à, un mauvais travail, un non-respect des consignes fournies et/ou une ventilation inadaptée des modèles « Comptoir ».

Comment obtenir un dépannage et des réparations au titre de la garantie?

Qui contacter si vous avez besoin d'un dépannage et de réparations couverts par la garantie? Si votre Matériel Vitamix a besoin de dépannage ou de réparations couverts par la garantie, appelez Vitamix Corporation, un centre de service autorisé ou un distributeur local pour obtenir de l'aide.

- Pour le Matériel acheté et se trouvant aux États-Unis et au Canada, appelez le Service clients commercial de Vitamix au : 800 437-4654.
- Pour le Matériel acheté en dehors des États-Unis et du Canada, communiquez avec votre distributeur autorisé de Vitamix ou avec la Division internationale de Vitamix par téléphone au +1 440 782-2450.
- Adresses courriels : aux États-Unis et au Canada : commercial@vitamix.com ou, en dehors des États-Unis et du Canada : international@vitamix.com.

Vous devrez présenter une preuve d'achat de l'Équipement. S'il est impossible à l'équipe de soutien technique de dépanner l'Équipement à distance, il devra être réparé. L'équipe vous aidera à trouver un centre de service autorisé ou à renvoyer le Matériel à Vitamix.

Comment envoyer le Matériel à dépanner à Vitamix?

- A. Demandez un numéro d'autorisation de retour avant l'envoi. Ne retournez jamais d'équipement sans l'autorisation de Vitamix. Vitamix ne pourra pas être tenue responsable du coût de réparations non autorisées. Pour tout retour d'Équipement, vous devez détenir un numéro d'autorisation de retour (AR) et l'écrire lisiblement sur l'extérieur de l'emballage. Tout Équipement envoyé à Vitamix sans autorisation ou approbation préalable sera renvoyé tel quel, sans réparation, à l'adresse de l'expéditeur.
- B. Emballez bien l'article retourné. Tout article expédié à Vitamix doit être replacé dans son emballage d'origine ou suffisamment protégé.

CARACTÉRISTIQUES TECHNIQUES

Vita-Prep	Vita-Prep 3
Voltage : 120 VCA	Voltage : 120 VCA
Ampères : 11,5 (puissance maximale de 2,3 hp*)	Ampères : 13 (puissance maximale de 3 hp*)
Hz : 50/60	Hz : 50/60

- 1** **Tableau de commande** : pour plus de renseignements, reportez-vous à la section « Panneau de commande ».

! ATTENTION : les couvercles et les pilons ne sont pas interchangeables entre les récipients de différents styles, types et formats.

- 2** **Récipient de 64 oz (2 L) avec couvercle en deux parties** :
- Utilisez toujours le couvercle et le bouchon du couvercle lorsque l'appareil est en marche.
 - Ne mettez jamais le mélangeur en marche si le couvercle n'est pas bien verrouillé en place.
 - Les onces, les millilitres et les tasses sont clairement indiqués.
 - Insérez le bouchon dans le couvercle et verrouillez-le en tournant dans le sens horaire.
 - Retirez le bouchon du couvercle pour utiliser le pilon ou ajouter des ingrédients.

- 3** **Pilon** : l'utilisation du pilon assure la circulation en empêchant la formation de poches d'air.

- 4** **Couvercle en deux parties : (couvercle et bouchon du couvercle)**
 Pour verrouiller le couvercle en place : le couvercle doit toujours être bien fixé lorsque l'appareil fonctionne, en particulier quand des liquides chauds pouvant provoquer des brûlures s'y trouvent. **Ne mettez jamais le mélangeur en marche si le couvercle n'est pas bien verrouillé en place.** Le couvercle dispose d'un bord continu qui se fixe à l'intérieur des onglets du récipient. Placez un côté du bord sous l'un des onglets puis appuyez sur l'onglet se trouvant à l'opposé afin de verrouiller le couvercle.

Pour retirer le couvercle : placez vos mains autour du couvercle en appuyant avec le pouce sur l'un des onglets du récipient. Appuyez puis soulevez.

Pour retirer le bouchon du couvercle : tournez le bouchon du couvercle vers la gauche, de la position « verrouillée » à la position « déverrouillée », et soulevez-le.

- 5** **Cordon d'alimentation** : le cordon d'alimentation du mélangeur est fourni avec une fiche à trois broches (de mise à la terre) appariée avec les prises murales standards à trois broches. Le cordon fourni sera différent en dehors des États-Unis.

Des adaptateurs sont disponibles pour les prises à deux broches. Ne coupez pas et ne retirez pas la troisième broche (de mise à la terre) de la fiche ou de la corde d'alimentation. Communiquez avec votre électricien si vous ne savez pas si la prise murale est reliée à la terre par le biais des installations électriques du bâtiment. Une fois que vous êtes sûr que votre prise murale à deux broches est reliée à la terre, reliez l'appareil à la terre en fixant l'onglet de l'adaptateur au couvercle de la prise murale en utilisant la vis se trouvant au centre du couvercle.

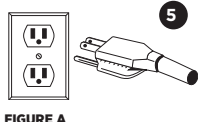


FIGURE A

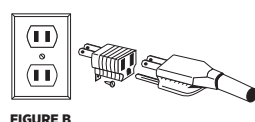


FIGURE B

TABLEAU DE COMMANDE

- 1. Interrupteur On/Off (Marche/Arrêt)** : il s'agit d'un interrupteur lumineux. Lorsque le témoin est allumé, l'appareil est sous tension. Situé à l'avant de l'appareil sous le panneau de commande (Figure A). L'interrupteur On/Off contrôle l'alimentation de l'appareil. Lorsque l'appareil est branché, positionnez l'interrupteur sur On pour qu'il soit prêt à mélanger. Positionnez l'interrupteur sur Arrêt durant la nuit ou lorsque l'appareil est laissé sans surveillance.
- 2. Interrupteur Start/Stop (Marche/Arrêt)** : appuyez sur l'interrupteur de démarrage pour commencer à mélanger. Appuyez à nouveau sur l'interrupteur pour arrêter le mélange.
- 3. Interrupteur Haute/Variable** : la position Haute (Δ) permet d'obtenir la vitesse la plus rapide disponible. Mettez l'interrupteur en position Variable (∇) pour activer les vitesses variables. **Assurez-vous toujours que l'interrupteur de vitesse Haute/Variable est réglé sur la position Variable (∇) avant de placer l'interrupteur On/Off en position On (I).** Ne mettez pas votre appareil en marche lorsque l'interrupteur est placé sur la position Haute (Δ).
- 4. Sélecteur de vitesse variable** : permet de sélectionner de nombreux réglages de vitesse. Il est actif uniquement lorsque l'interrupteur Haute/Variable est réglé sur la position Variable (∇).



Remarque : Il est possible que le panneau de commande de votre appareil soit différent de celui illustré.

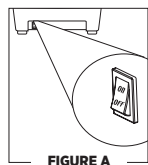


FIGURE A

⚠ ATTENTION



Les couteaux rotatifs peuvent causer des dommages.

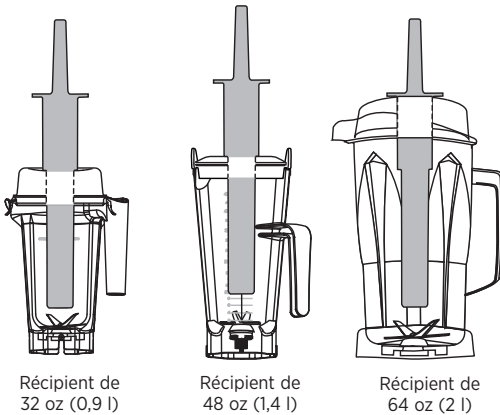
Les couvercles et les pilons ne sont pas interchangeables entre récipients de différents styles, types et formats. Utilisez le pilon qui a été fourni avec votre appareil.

Comment déterminer quel pilon peut être utilisé avec votre récipient

Le pilon est conçu pour être utilisé en toute sécurité et efficacement avec les récipients commerciaux. **Si le pilon a été fourni avec votre récipient, il s'agit du pilon approprié pour ce récipient.**

Pour vérifier si vous utilisez le pilon approprié, placez le couvercle sur un récipient vide, retirez le bouchon du couvercle et insérez le pilon. Le pilon doit s'insérer facilement dans l'ouverture du couvercle sans toucher les couteaux, peu importe la façon dont vous déplacez le pilon à l'intérieur du récipient. **SI LE PILON TOUCHE LES COUTEAUX LORSQU'IL EST DANS UN CERTAIN ANGLE, N'UTILISEZ PAS CE PILON AVEC VOTRE RÉCIENT.**

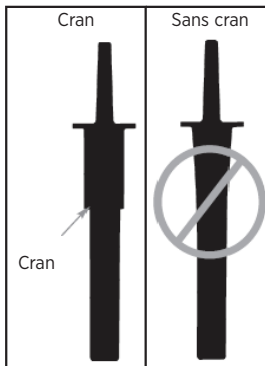
Si vous n'avez pas le pilon approprié pour votre récipient, communiquez avec le service à la clientèle de Vitamix aux États-Unis et au Canada par téléphone au 800 437-4654 ou par courriel à commercial@vitamix.com. En dehors des États-Unis et au Canada, par téléphone au +1 440 782-2450 ou par courriel à international@vitamix.com. Adresse courriel pour toute assistance technique : commercialts@vitamix.com.



Récipient de 32 oz (0,9 l)

Récipient de 48 oz (1,4 l)

Récipient de 64 oz (2 l)



Cran

Sans cran

Cran

⚠ AVERTISSEMENT



Les couteaux rotatifs peuvent causer de graves blessures.

GARDEZ TOUJOURS les mains, les spatules, etc. hors du récipient pendant que l'appareil est en marche ou lorsque le récipient est encore sur le socle.

Les couvercles et les pilons ne sont pas interchangeables entre récipients de différents styles, types et formats. Utilisez le pilon qui a été fourni avec votre appareil.

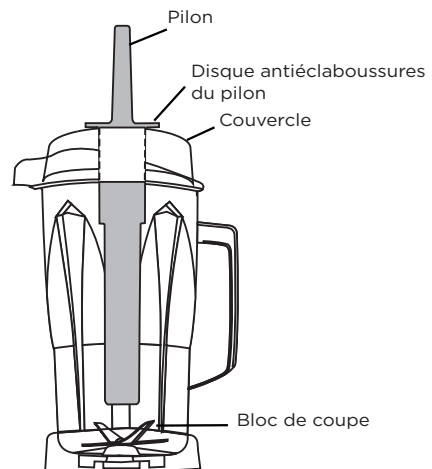
Ne tentez PAS de forcer le pilon plus profondément dans le récipient de 32 oz. (0,9 l).

N'utilisez pas de pilon sans cran dans les récipients commerciaux Vitamix.



IMPORTANT!

- Lorsque le couvercle est correctement fixé en position verrouillée, le disque antiéclaboussures (près du haut du pilon) et le couvercle empêchent le pilon de frapper les couteaux.
- Le récipient ne doit pas être rempli plus qu'aux deux tiers lorsque le pilon est utilisé pendant le mélange.
- Si les aliments ne circulent pas, il se peut qu'une bulle d'air soit emprisonnée dans l'appareil. Retirez avec soin le bouchon du couvercle tout en vous assurant que le couvercle reste bien en place. Faites sortir la bulle d'air en insérant le pilon par l'ouverture du bouchon du couvercle. Continuez à utiliser le pilon pour pousser les ingrédients vers les couteaux afin de réduire le temps de mélange.
- Il se peut que le fait de tenir le pilon tout droit vers le bas n'aide pas les ingrédients à circuler. Au besoin, dirigez le pilon vers les côtés ou les coins du récipient. NE tentez PAS de faire entrer le pilon plus profondément dans le récipient.



⚠ AVERTISSEMENT



N'exposez PAS le récipient à des températures supérieures à 210 °F (99 °C). N'exposez PAS le récipient à des liquides ou ingrédients chauds d'une température de plus 210 °F (99 °C).



Ne laissez pas le mélangeur sans surveillance lorsque ce dernier est en marche.

Soyez prudent. La vapeur s'échappant ou les éclaboussures peuvent ébouillanter. Ne commencez jamais à mélanger des ingrédients chauds à des vitesses élevées.

Ne retirez le bouchon du couvercle que pour ajouter des ingrédients et pour utiliser le pilon.

Démarrez toujours le mélangeur avec la vitesse réglée sur 1 et l'interrupteur de vitesse Haute/Basse en position Basse. Ne commencez jamais à une vitesse supérieure à 1 ou avec l'interrupteur Haute/Basse en position Haute lorsque vous mélangez des liquides chauds afin d'éviter tout risque de brûlure.

Qualité de mélange et performances de l'appareil maximales - Température des ingrédients :

Température de congélation : 0 °F (-17,7 °C)

Remarque : il n'est pas recommandé de mélanger des ingrédients à une température de moins de 0 °F (-17,7 °C).

- **Mélangez en utilisant le réglage Haute (Δ) pendant le plus de temps possible pour préparer des jus, des soupes, des laits frappés, des préparations congelées, des purées et des beurres de noix à partir d'aliments entiers, de même que pour mouliner des grains. Les temps de mélange seront généralement de moins d'une minute (la plupart seront de moins de 30 secondes).**
 - **CONSEIL : le fait de mélanger trop longtemps à un réglage de vitesse trop bas peut faire surchauffer l'appareil et provoquer l'arrêt de l'appareil par la protection automatique contre les surcharges. Mélanger à la vitesse Haute (Δ) utilise le ventilateur de refroidissement du moteur pour éviter la surchauffe.**
 - Si vous mélangez à la vitesse Haute (Δ) et que les aliments ne circulent pas, retirez soigneusement le bouchon du couvercle tout en vous assurant que le couvercle reste fermement en place. Libérez les aliments en insérant le pilon par l'ouverture du bouchon du couvercle. Réduisez la vitesse de l'appareil si les problèmes de circulation persistent. Une vitesse inférieure peut permettre aux aliments de circuler lorsqu'une vitesse supérieure ne fonctionne pas. Ajoutez du liquide si nécessaire. NE remplissez PAS trop le récipient. Une fois que les aliments circulent librement, augmentez la vitesse jusqu'à ce qu'elle soit Haute (Δ) de nouveau et poursuivez le mélange.
 - Lorsque vous préparez des beurres de noix, utilisez le pilon afin de réduire le temps de mélange. Lorsque vous préparez des produits alimentaires à base d'huile, ne faites pas fonctionner l'appareil plus d'une minute après que le mélange a commencé à circuler dans le récipient. Le fait de faire fonctionner l'appareil pendant de plus longues périodes peut endommager le récipient et faire surchauffer le moteur.
 - En raison de la vitesse de l'appareil, les temps de mélange sont beaucoup plus courts que ceux des appareils courants.
 - **Protection automatique contre les surcharges :** le moteur de votre appareil Vitamix est conçu pour se protéger contre la surchauffe. Si le moteur s'éteint, placez l'interrupteur On/Off en position Off. Attendez 5 minutes puis remettez l'appareil sous tension afin de voir si le mélangeur est réinitialisé et prêt à fonctionner. Le mélangeur peut nécessiter 45 minutes maximum pour se réinitialiser.
1. Assurez-vous que le sélecteur de vitesse variable est réglé sur 1.
 2. Remplissez le récipient avant de le placer sur le socle-moteur. Mettez d'abord les liquides et les aliments mous dans le récipient, puis continuez avec les aliments solides et la glace.

3. Fixez solidement les deux pièces du couvercle. Mettez toujours en place les deux pièces du couvercle lorsque vous utilisez l'appareil (sauf si le pilon est inséré dans l'ouverture du bouchon du couvercle). Assurez-vous que le couvercle est fermé de façon sécuritaire lorsque vous mélangez des ingrédients chauds.
4. Après avoir arrêté le moteur, placez le récipient pour couteau humide sur le socle-moteur en l'alignant sur la pièce de centrage. Ne tentez jamais de mettre le récipient sur le socle-moteur lorsque ce dernier est en marche ni de mettre en marche le socle-moteur lorsque le récipient n'est pas correctement en place.
5. Commencez avec l'interrupteur Haute/Variable à la position Variable (Δ). Mettez toujours votre appareil en marche à la vitesse variable 1. Activez l'appareil en plaçant l'interrupteur On/Off sur la position On. Appuyez sur l'interrupteur Marche/Arrêt. Augmentez lentement la vitesse jusqu'à atteindre la vitesse souhaitée. Votre récipient se repositionnera pour se centrer correctement.
6. **Prenez les précautions nécessaires lorsque vous manipulez et mélangez des ingrédients chauds et quand vous préparez des soupes et des sauces chaudes.**
7. Après l'arrêt de l'appareil, attendez que les couteaux s'arrêtent complètement avant de retirer le couvercle ou le récipient du socle-moteur.

ENTRETIEN ET NETTOYAGE

⚠ AVERTISSEMENT



Risque de décharge électrique.

Coupez l'alimentation avant de nettoyer l'appareil.



Le non-respect de ces instructions peut entraîner la mort ou causer une décharge électrique.

Nettoyage normal :

1. Remplissez le récipient d'eau chaude jusqu'à la moitié et ajoutez quelques gouttes de savon à vaisselle liquide dans le récipient. Emboîtez ou enfoncez le couvercle en 2 parties au complet pour qu'il soit en position verrouillée.
2. Sélectionnez la vitesse variable 1. Mettez l'appareil en marche et augmentez progressivement la vitesse jusqu'à la vitesse variable 10, puis sélectionnez la position Haute. Faites fonctionner l'appareil à haute vitesse pendant 30 à 60 secondes.
3. Éteignez l'appareil. Rincez et égouttez le récipient.

Pour désinfecter :

1. Suivez les instructions de nettoyage normal ci-dessus.
2. Versez de l'eau jusqu'à la moitié du récipient puis ajoutez une cuillerée à thé et demie d'eau de Javel. Emboîtez ou enfoncez le couvercle en 2 parties au complet pour qu'il soit en position verrouillée.
3. Sélectionnez la vitesse variable 1. Mettez l'appareil en marche et augmentez progressivement la vitesse jusqu'à la vitesse variable 10, puis sélectionnez la position Haute. Faites fonctionner l'appareil à haute vitesse pendant 30 à 60 secondes.
4. Arrêtez l'appareil et laissez reposer le mélange dans le récipient pendant 1 minute et demie supplémentaire.
5. Videz le récipient de la préparation contenant de l'eau de Javel. Laissez le récipient sécher à l'air. Ne rincez pas le récipient après la désinfection.

Couvercle, bouchon du couvercle et pilon

Séparez le couvercle et le bouchon du couvercle. Lavez les pièces dans de l'eau chaude savonneuse. Rincez à l'eau courante et séchez. Réinsérez le bouchon du couvercle dans le couvercle avant de les utiliser.

Socle-moteur :

1. Débranchez le cordon d'alimentation.
2. Lavez la surface extérieure avec une éponge ou un chiffon doux humide qui a été rincé dans une solution de détergent liquide doux et d'eau chaude. Ne placez pas le socle-moteur dans l'eau.
3. La pièce de centrage peut être retirée pour un nettoyage plus approfondi.
4. Nettoyez soigneusement les interrupteurs afin qu'ils bougent sans obstruction. Ils peuvent devenir collants à force d'être utilisés. Imbibez un coton-tige avec un produit dégraissant ou un nettoyant domestique et nettoyez les rainures autour des interrupteurs. Séchez immédiatement toutes les surfaces.
5. Polissez le socle-moteur à l'aide d'un chiffon doux.

Problèmes :	Actions possibles :
<ul style="list-style-type: none"> • L'appareil vibre davantage qu'avant • La partie inférieure du récipient fuit • L'appareil fait plus de bruit 	<ol style="list-style-type: none"> a. Vérifiez que le bloc de coupe ne présente pas de composant desserré, endommagé ou entaillé. Faites les remplacements nécessaires le cas échéant. b. Resserrez l'écrou de retenue avec la clé à écrou de retenue en le tournant dans les sens des aiguilles d'une montre jusqu'à ce qu'il soit correctement serré.
<ul style="list-style-type: none"> • L'appareil ne fonctionne pas. 	<ol style="list-style-type: none"> a. Vérifiez que le câble d'alimentation est fermement inséré dans la prise d'alimentation. b. Vérifiez que les interrupteurs sont propres et bougent librement. c. Il est possible que le protecteur thermique ait éteint l'appareil. Si le moteur s'éteint, placez l'interrupteur On/Off en position Off. Attendez 5 minutes puis remettez l'appareil sous tension afin de voir si le mélangeur est réinitialisé et prêt à fonctionner. Le mélangeur peut nécessiter 45 minutes maximum pour se réinitialiser.
<ul style="list-style-type: none"> • Les couteaux font beaucoup de bruit • Les couteaux ne tournent pas 	<ol style="list-style-type: none"> a. Il est possible que la prise d'entraînement soit cassée. Vérifiez que la prise ne présente pas de fissure au centre ou de dent usée. Remplacez-la le cas échéant (article n° 891). Les instructions sont fournies avec la pièce. b. Les roulements du couteau doivent être remplacés. Tournez les couteaux à l'aide de la cannelure d'entraînement au fond du récipient. Si les couteaux tournent librement sans résistance, remplacez le bloc de coupe.
<ul style="list-style-type: none"> • L'appareil ne fonctionne pas lorsque l'interrupteur Marche/Arrêt est activé 	<p>Vérifiez l'interrupteur On/Off pour vérifier que l'interrupteur est en position On. Remarque : l'interrupteur Marche/Arrêt s'allume lorsque l'appareil est sous tension.</p>

Si ces actions ne permettent pas de réparer votre appareil, appelez l'assistance technique Vitamix® au +1 800 886-5235 pour obtenir de l'aide supplémentaire. Si vous avez acheté votre matériel en dehors des États-Unis, communiquez avec votre distributeur autorisé de Vitamix ou avec la Division internationale de Vitamix par téléphone au +1 440 782-2450 ou par courriel à international@vitamix.com pour trouver un distributeur dans votre pays. Pour obtenir de l'aide en ligne, visitez www.vitamix.com/commercial.

NOTES IMPORTANTES!

REMARQUE : Il est possible que le protecteur thermique ait éteint l'appareil. Si le moteur s'éteint, placez l'interrupteur On/Off en position Off. Attendez 5 minutes puis remettez l'appareil sous tension afin de voir si le mélangeur est réinitialisé et prêt à fonctionner. Le mélangeur peut nécessiter 45 minutes maximum pour se réinitialiser. Le refroidissement peut être accéléré en plaçant le socle-moteur dans un endroit frais. Débranchez tout d'abord l'appareil. Pour accélérer le processus, essayez de faire circuler l'air avec un aspirateur ou un ventilateur dirigé vers la partie inférieure du socle. Si le protecteur thermique éteint votre moteur, revoyez vos techniques de mélange et vos instructions. Il est possible que vos préparations soient trop épaisses (ajoutez du liquide), que vos mélanges soient trop longs parce que la vitesse configurée n'est pas assez élevée ou qu'il y ait trop d'ingrédients. Si le moteur semble surchauffer mais que le protecteur n'a pas éteint l'appareil, arrêtez l'appareil puis retirez le récipient du socle.



Vita-Mix® Corporation
8615 Usher Road
Cleveland, OH 44138 U.S.A.

vitamix.com

©2017 Vita-Mix® Corporation. No part of this publication may be reproduced or transmitted in any form or by any means or stored in a database or retrieval system without the written permission of the Vita-Mix® Corporation.

123296_REV A 2/17 ENG/FC/SPA



VITA-PREP® Y VITA-PREP® 3

VM0101 y VM0101D

SECCIONES

Inglés.....	1
Francés.....	9
Español.....	17

SÍMBOLOS

	Advertencia		Precaución
	NUNCA tocar partes móviles. Mantener las manos y los utensilios fuera del vaso.		Operar la licuadora con la tapa y el tapón de esta colocados.
	Peligro de descarga eléctrica		Leer y comprender el manual de usuario
	Genera alta temperatura cuando licúa líquidos calientes		No sumergir
	NO INSERTAR objetos en el vaso mientras la licuadora está en uso		Encendido/Apagado
	Desenchufar la licuadora cuando no esté en uso, antes de limpiarla, al cambiar accesorios o al tocar piezas que se mueven mientras la licuadora está en funcionamiento.		

INFORMACIÓN PARA EL RECICLADO

Este producto ha sido suministrado por un fabricante con conciencia ambiental.

Este producto puede contener sustancias que podrían ser dañinas para el medioambiente si se desechan en lugares (vertederos) que no son apropiados según la legislación.

El símbolo de "contenedor con ruedas con una cruz" se coloca en este producto para alentarlo a reciclar en la medida de lo posible.

Sea ecológicamente responsable y recicle este producto por medio de su centro de reciclado al final de su vida útil.



Para ver la línea completa de los productos Vitamix, visite vitamix.com.

Vita-Mix® Corporation
División Comercial

8615 Usher Road, Cleveland, Ohio 44138 EE. UU.
Tel.: +1 440 235 0214 Correo electrónico: commercial@vitamix.com

⚠ ADVERTENCIA



Para evitar lesiones.

Lea y comprenda el manual de instrucciones antes de utilizar este aparato. Se deben tomar precauciones, entre las cuales se incluyen las siguientes.



⚠ ADVERTENCIA



Peligro de descarga eléctrica.

SOLO utilice una salida conectada a tierra.

NO quite la conexión a tierra.

NO utilice un adaptador.

NO utilice un cable de extensión.

El incumplimiento de las instrucciones puede causar la muerte o una descarga eléctrica.

LEA TODAS LAS INSTRUCCIONES, MEDIDAS DE SEGURIDAD Y ADVERTENCIAS ANTES DE HACER FUNCIONAR LA LICUADORA.

1. Lea todas las instrucciones.
2. La supervisión atenta es necesaria cuando los niños o las personas discapacitadas utilizan el aparato o cuando se lo utiliza cerca de ellos.
3. Esta licuadora no está diseñada para que la utilicen personas con capacidades físicas, mentales o sensoriales reducidas o con falta de experiencia y conocimiento, a no ser que estén bajo supervisión o hayan recibido instrucciones sobre la utilización del aparato por parte de una persona responsable de su seguridad.
4. Para evitar una descarga eléctrica, no coloque la base de la licuadora en agua u otro líquido.
5. Desconecte el aparato del tomacorriente cuando no se encuentre en uso, antes de colocar o quitar partes y antes de realizar la limpieza.
6. Evite el contacto con partes móviles.
7. NO use ningún aparato con un cable o un enchufe dañado, o si ha sufrido desperfectos o se encuentre dañado de alguna manera. Comuníquese con su vendedor o distribuidor de inmediato para exámenes, reparaciones, reemplazos, o ajustes eléctricos o mecánicos.
8. La alteración o modificación de cualquier pieza o componente del conjunto de cuchillas, incluido el uso de cualquier pieza, componente o accesorio que no sea una pieza genuina autorizada por Vitamix, puede ocasionar incendios, descargas o lesiones.
9. El uso de accesorios que no se encuentren expresamente autorizados o que no haya vendido Vitamix para utilizar con esta licuadora, incluidos los frascos de conservas, pueden causar un incendio, una descarga eléctrica o heridas.
10. Si su máquina está equipada con una funcionalidad de velocidad variable, siempre comience en la configuración de velocidad más baja.
11. NO utilice el aparato para fines que no sean su uso destinado.
12. La carga máxima normal es equivalente a las onzas (litros) indicadas en el vaso; es decir, 64 oz. / 2,0 l, 48 oz. / 1,4 l y sustancialmente menos con mezclas espesas.
13. NO utilice en exteriores.
14. NO deje que el cable cuelgue del borde de la mesa o la superficie de trabajo, ni que tenga contacto con superficies calientes, incluidas las placas.
15. Mantenga las manos y los utensilios fuera del vaso durante el licuado para reducir el riesgo de graves lesiones a las personas o daño a la licuadora. El bastón-compactador puede utilizarse durante el licuado en el vaso. Se puede utilizar una espátula de goma, pero solo cuando la licuadora no esté funcionando. No deje el bastón-compactador, la espátula o cualquier otro utensilio en el vaso, ya sea durante el funcionamiento o cuando el motor está apagado.
16. Las cuchillas son filosas. Cuando limpie el vaso, sea cuidadoso para evitar lesiones.
17. Para reducir el riesgo de lesiones, nunca coloque un conjunto de cuchillas sobre la base del motor a menos que se encuentre montado en un vaso.
18. NO deje objetos extraños, tales como cucharas, tenedores, cuchillos o el tapón de la tapa, en el vaso ya que esto dañará las cuchillas y otros componentes cuando arranque el aparato, y podría causar lesiones.
19. Nunca intente usar la licuadora con cuchillas dañadas.
20. La tapa y el tapón de la tapa DEBEN estar firmemente en su lugar durante el licuado. El tapón de la tapa debe retirarse solo al agregar ingredientes y al usar el bastón-compactador.
21. Cuando haga mantecas de nuez, utilice el bastón-compactador para acortar el tiempo de procesamiento. Cuando licúe comidas a base de aceites, no procese por más de un minuto luego de que la mezcla comience a circular en el vaso. El procesamiento por períodos más prolongados puede causar daños al vaso y sobrecalentamiento del motor.
22. NO exponga el vaso a temperaturas que superen los 210 °F (99 °C). NO exponga el vaso a líquidos o ingredientes calientes que superen los 210 °F (99 °C).
23. No deje la licuadora sin supervisión cuando esté en uso.
24. Sea precavido. El escape de vapor o las salpicaduras pueden producir escaldaduras. Nunca inicie en la velocidad más alta al licuar ingredientes calientes.
25. El tapón de la tapa debe retirarse solo al agregar ingredientes y al usar el bastón-compactador.
26. Siempre arranque la licuadora con el dial de velocidad variable en 1 y el interruptor de velocidad Alta/Baja en la posición baja. Nunca arranque en velocidades mayores de 1 o con el interruptor de velocidad Alta/Baja en la posición alta al licuar líquidos calientes para evitar posibles quemaduras.

CONSERVE ESTAS INSTRUCCIONES

¡NOTAS IMPORTANTES!

Las instrucciones que aparecen en este Manual de uso y cuidado no pueden cubrir todas las condiciones y situaciones posibles que pueden tener lugar. Se debe aplicar el sentido común y la precaución al hacer funcionar y realizar el mantenimiento de cualquier electrodoméstico.

INSTRUCCIONES IMPORTANTES PARA EL USO SEGURO

No deje de prestar atención a su licuadora Vitamix mientras la utiliza.

Vitamix o un representante de servicio técnico autorizado deben realizar cualquier reparación, servicio técnico o reemplazo de partes.

AVISO: EL INCUMPLIMIENTO DE LAS MEDIDAS DE SEGURIDAD Y DE LAS INSTRUCCIONES IMPORTANTES PARA EL USO SEGURO SE CONSIDERA UN MAL USO DE LA LICUADORA VITAMIX QUE PODRÍA ANULAR SU GARANTÍA Y PRESENTAR UN RIESGO DE LESIONES GRAVES.

Mantenimiento de su licuadora Vitamix®

A fin de maximizar la vida útil y mantener en buen estado de funcionamiento su producto Vitamix®, es importante que siga algunos consejos de mantenimiento simples:

1. Periódicamente examine la cavidad de transmisión para detectar grietas, roturas o desgastes visibles del enchufe. Si se observan daños, reemplace la cavidad de transmisión por la cavidad de transmisión adicional incluida con su licuadora. Para comprar cavidades de transmisión de reemplazo adicionales, contáctese con Vita-Mix® Corporation (en adelante, "Vitamix") al 1-800-437-4654. Para los clientes fuera de los EE. UU., contáctese con su distribuidor Vitamix autorizado o comuníquese con la División Internacional de Vitamix llamando al +1.440.782.2450 o enviando un correo electrónico a commercial@vitamix.com (Estados Unidos y Canadá) o international@vitamix.com (fuera de EE. UU. y Canadá) para obtener asistencia.
2. Gire manualmente el conjunto de rodamiento de cuchillas para asegurarse de que gire sin trabarse y que no dé vueltas con demasiada soltura. Si la cuchilla tambalea o gira con demasiada soltura, contáctese con Vitamix o un distribuidor cercano a usted para obtener información sobre la garantía.
3. Nunca ponga el aparato en funcionamiento sin que la almohadilla centrante esté correctamente colocada sobre la base y nunca quite el vaso de la base antes de que las cuchillas se hayan detenido.

Garantía limitada (a menos que esté cubierto de otra forma por el Contrato)

Vita-Mix® Corporation (en adelante, "Vitamix") le garantiza al usuario final original ("Comprador") que sus licuadoras comerciales Vitamix (consistentes en una base de motor, un vaso y una tapa, en adelante denominados conjuntamente el "Equipo") están libres de defectos tanto de material como de mano de obra para los períodos de garantía aplicables al Equipo tal como se describe en este documento y sujeto a las condiciones establecidas a continuación. Se requiere comprobante de compra.

Los siguientes son los únicos recursos del Comprador y las únicas obligaciones de la garantía de Vitamix.

Ningún empleado de Vitamix ni ninguna otra persona están autorizados a proporcionar ninguna garantía adicional ni enmienda de las siguientes garantías.

Alcance de la garantía**A. Garantía de la base del motor (que incluye el tablero de control y el panel táctil)**

Vitamix le garantiza al usuario final original que:

- Si la base del motor falla debido a defectos en el material o la mano de obra dentro de los treinta (30) días a partir de la fecha de compra, Vitamix reemplazará la base del motor por una nueva.
- Si la base del motor falla debido a defectos en el material o la mano de obra después de treinta (30) días a partir de la fecha de compra pero dentro de un (1) año de la fecha de compra, Vitamix asumirá el costo de todas las piezas y la mano de obra necesarias para reparar la base del motor.
- Si la base del motor falla debido a defectos en el material o la mano de obra después del primer año pero dentro de los tres (3) años a partir de la fecha de compra, Vitamix asumirá el costo de todas las piezas necesarias para reparar la base del motor.

B. Garantía del vaso, la tapa, el tapón de la tapa, la almohadilla centrante, el conjunto de cuchillas, la cavidad de transmisión y el aislamiento de sonido (si está incluido).

Vitamix le garantiza al usuario final original que si el aislamiento de sonido, el vaso, la tapa, el conjunto de cuchillas o la cavidad de transmisión fallan debido a un defecto en los materiales o la mano de obra dentro de un (1) año a partir de la fecha de compra, Vitamix asumirá el costo de todas las piezas y la mano de obra necesarias para reparar el componente.

La única obligación de Vitamix bajo estas garantías es reparar o reemplazar la pieza o las piezas bajo garantía como lo determina exclusivamente Vitamix.

EN NINGÚN CASO, YA SEA A RAÍZ DE UN CONTRATO, UNA INDEMNIZACIÓN, UNA GARANTÍA, UN DERECHO POR DAÑOS (INCLUIDA LA NEGLIGENCIA), UNA RESPONSABILIDAD OBJETIVA U OTRO MOTIVO, VITAMIX SERÁ RESPONSABLE POR NINGÚN DAÑO ESPECIAL, INDIRECTO, INCIDENTAL O MEDIATO, INCLUIDOS, PERO SIN LIMITARSE A ELLO, EL LÚCRO CESANTE O LA PÉRDIDA DE INGRESOS. LA GARANTÍA LIMITADA ANTERIOR ES SU ÚNICO RECURSO, Y USTED Y VITAMIX RENUNCIAN DE FORMA EXPLÍCITA POR LA PRESENTE A TODAS LAS OTRAS GARANTÍAS O CONDICIONES, DE NATURALEZA EXPLÍCITA, IMPLÍCITA, LEGAL O DE OTRO TIPO, INCLUIDA TODA GARANTÍA IMPLÍCITA DE COMERCIABILIDAD O IDONEIDAD PARA UN FIN EN PARTICULAR Y, SIN LIMITAR LA GENERALIDAD DE LO ANTES EXPUESTO, USTED Y VITAMIX EXCLUYEN EXPRESAMENTE POR LA PRESENTE, EN LA MEDIDA EN LA QUE LA LEY LO PERMITA, LA APLICACIÓN DE CUALQUIER LEGISLACIÓN EN MATERIA DE VENTA DE MERCANCÍAS Y LA CONVENCION DE LAS NACIONES UNIDAS SOBRE LOS CONTRATOS PARA LA VENTA INTERNACIONAL DE MERCANCÍAS, QUE SEAN APLICABLES.

Algunas jurisdicciones no permiten limitaciones en garantías implícitas o en daños especiales, incidentales o mediatos.

No alcanzado por la garantía (Exclusiones de la cobertura)

Estas garantías no incluyen reparaciones necesarias debido a:

- A. Desgaste normal;
- B. Abuso, uso indebido o negligente;
- C. Alteración del equipo, incluidos, pero sin limitarse a ello, la base del motor, el vaso, la tapa o el aislamiento de sonido;
- D. Exposición a condiciones extremas; o
- E. Instalación inadecuada del Equipo, incluidos, pero sin limitarse a ello, trabajo defectuoso, no seguimiento de las especificaciones proporcionadas o ventilación inadecuada de los modelos "para mostrador" de la licuadora.

Cuándo aplican las garantías (Condiciones de cobertura)

Las garantías contenidas en la presente son válidas únicamente para el usuario final original y no son transferibles. Para hacer un reclamo de garantía, se requiere el comprobante de compra.

Todas las garantías ofrecidas por Vitamix son válidas únicamente si se utilizan de acuerdo con: a) el manual del propietario al que también puede accederse en www.vitamix.com; b) la garantía explícita; y c) cualquier instrucción de mantenimiento, independientemente de cuándo se suministren.

Qué hace que la garantía se anule

Todas las garantías de productos se anulan si:

- La licuadora se coloca en un aislamiento de sonido no fabricado por Vitamix;
- Cualquier componente de una pieza del equipo cubierta o cualquier parte ha sido modificada, alterada, restaurada o reparada por personas que no sean de Vitamix, un Centro de Servicio de Vitamix autorizado o un Distribuidor de Vitamix autorizado.
- Cualquier componente de Vitamix cubierto que se utilice con un componente no autorizado expresamente por escrito por Vitamix (p. ej., el uso de un vaso de Vitamix con una base de motor que no sea de Vitamix o el uso de una base de motor de Vitamix con un vaso que no sea de Vitamix); o
- La instalación inadecuada de una pieza de la licuadora, incluidos, pero sin limitarse a ello, trabajo defectuoso, no seguimiento de las especificaciones proporcionadas o la ventilación inadecuada de los modelos "para mostrador".

Cómo obtener la reparación y cobertura de la garantía

Con quién contactarse para la reparación y cobertura de la garantía. En caso de que su licuadora Vitamix necesite servicio o reparación cubierta por los términos de esta garantía, comuníquese con Vita-Mix Corporation, un centro de servicio autorizado o un distribuidor local para obtener asistencia sobre la garantía.

- Para equipos adquiridos y ubicados en EE. UU. y Canadá, llame a Atención al Cliente de Vitamix al: 800-437-4654.
- Para equipos adquiridos fuera de EE. UU. y Canadá, comuníquese con su distribuidor de Vitamix autorizado o con la División Internacional de Vitamix al +1.440.782.2450.
- Contactos de correo electrónico: en EE. UU. y Canadá: commercial@vitamix.com o fuera de EE. UU. y Canadá: international@vitamix.com.

Se le pedirá que proporcione un comprobante de compra del Equipo. Si el equipo de soporte técnico remoto no puede arreglar el Equipo en forma remota, se deberá reparar el Equipo. El equipo lo ayudará a encontrar un centro de servicio autorizado o a acordar para que el Equipo sea enviado a Vitamix.

Cómo enviar el equipo a Vitamix para que sea reparado


- A. Obtenga un número de autorización de devolución antes del envío. No devuelva ni envíe el Equipo sin la aprobación de Vitamix. Bajo ninguna circunstancia, Vitamix será responsable por el costo de reparaciones no autorizadas. Las devoluciones de todos los Equipos deben tener el número de autorización de devolución ("RA") claramente marcado en el exterior de la caja. Cualquier Equipo que se envíe a Vitamix sin la previa autorización o aprobación, se devolverá a la dirección del expedidor "como está" sin reparación.
- B. Embale correctamente el artículo a devolver. Cualquier artículo que envíe a Vitamix debe ser enviado en el embalaje original o uno acorde.

ESEPECIFICACIONES

Vita-Prep	Vita-Prep 3
Voltios: 120 VCA	Voltios: 120 VCA
Amperios: 11,5 (2,3 pico de hp*)	Amperios: 13 (3 pico de hp*)
Hz: 50/60	Hz: 50/60

PIEZAS Y CARACTERÍSTICAS

- 1 **Panel de control:** Para obtener más información, consulte la sección Panel de control.

 **PRECAUCIÓN:** Las tapas y bastones-compactadores no son intercambiables entre diferentes estilos, tipos y tamaños de vaso.

- 2 **Vaso con capacidad de 64 oz con tapa de 2 partes:**
- Use siempre la tapa y el tapón de la tapa cuando el aparato está en funcionamiento.
 - Nunca opere la licuadora sin la tapa bloqueada de forma segura en su lugar.
 - Las onzas, los mililitros y las tazas están claramente marcados.
 - Inserte el tapón de la tapa a través de ella y asegúrelo girándolo hacia la derecha.
 - Quite el tapón de la tapa a fin de utilizar el bastón-compactador o agregar ingredientes.

- 3 **Bastón-compactador:** Al utilizar el bastón-compactador, se mantiene la circulación al evitar que se formen burbujas de aire.

4 **Tapa de dos piezas: (tapa y tapón de la tapa)**

Para cerrar la tapa correctamente: La tapa debe estar siempre bien cerrada cuando esté procesando, especialmente líquidos calientes que puedan producir escaldaduras. **Nunca opere la licuadora sin la tapa bloqueada de forma segura en su lugar.** La tapa tiene un borde continuo que se engancha dentro de las lengüetas del vaso. Presione un lado del borde debajo de una lengüeta y presione hacia abajo sobre la lengüeta opuesta para encastrar la tapa en su posición.

Para retirar la tapa: coloque sus manos alrededor de ella y presione sus pulgares sobre una de las lengüetas del vaso. Presione y levante para sacar.

Para retirar el tapón de la tapa: Rote el tapón de la tapa en sentido contrario a las agujas del reloj desde la posición "locked" (cerrado) a "unlocked" (abierto) y retírelo.

- 5 **Cable de alimentación:** El cable de alimentación de la licuadora viene equipado con una clavija de tres patas (conexión a tierra) que se une a un tomacorriente de pared de tres patas. Este cable variará de acuerdo con el país fuera de Estados Unidos.

Los adaptadores están disponibles para salidas de dos patas. No corte ni quite la tercera pata (conexión a tierra) del cable. Consulte con su electricista si no está seguro de que el tomacorriente de pared esté conectado a tierra mediante el cableado del edificio. Con un tomacorriente de pared de dos patas bien conectado a tierra, conecte la máquina a tierra al conectar la lengüeta del adaptador a la cubierta de la salida de pared utilizando el tornillo en el centro de la cubierta.

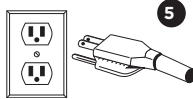


FIGURA A

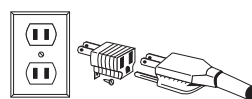


FIGURA B

PANEL DE CONTROL

1. **Interruptor de Encendido/Apagado:** Este es un interruptor iluminado. Cuando se ilumina el interruptor, hay corriente. Ubicado al frente de la máquina debajo del panel de control (Figura A). El interruptor de encendido/apagado controla la alimentación al aparato. Mientras está enchufada, enciéndala para tener la máquina lista para licuar. Apague el interruptor de alimentación durante la noche o cuando no se use la máquina.
2. **Interruptor de Iniciar/Parar:** Oprima el interruptor de iniciar para comenzar a licuar. Oprima el interruptor nuevamente para detener la licuadora.
3. **Interruptor de velocidad Alta/Variable:** Alta (Δ) se refiere a la velocidad más rápida disponible. Cambie a la opción Variable (∇) para activar las velocidades variables. **Siempre asegúrese de que el interruptor de velocidad Alta/Variable esté fijado en Variable (∇) antes de colocar el interruptor de Encendido/Apagado en la posición Encendido (I).** No arranque su aparato en la velocidad Alta (Δ).
4. **Dial de velocidad variable:** permite seleccionar varias opciones de velocidad. Se encuentra activo únicamente cuando el interruptor de velocidad Alta/Variable se encuentra en la posición Variable (∇).



Nota: El panel de control de su máquina puede lucir diferente a esta ilustración.

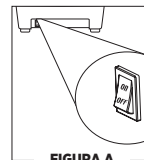


FIGURA A

⚠ PRECAUCIÓN



Las cuchillas rotatorias pueden causar daño.

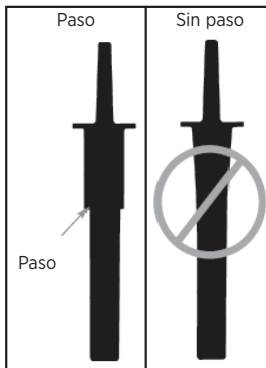
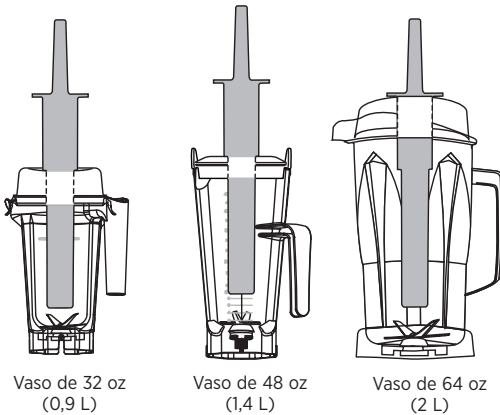
Las tapas y bastones-compactadores no son intercambiables entre diferentes estilos, tipos y tamaños de vaso. Utilice el bastón-compactador suministrado con su aparato.

Cómo determinar el bastón-compactador que puede utilizarse con su vaso

El bastón-compactador está diseñado para utilizarse de forma segura y eficiente con los vasos comerciales. **Si el vaso vino con un bastón-compactador, entonces este bastón es el correcto para él.**

Para verificar que usted está utilizando el bastón-compactador correcto, coloque la tapa sobre un vaso vacío, retire el tapón e inserte el bastón. El bastón-compactador debería encajar fácilmente en la abertura de la tapa sin hacer contacto con las cuchillas, sin importar cómo lo mueva dentro del vaso. **SI EL BASTÓN-COMPACTADOR TOCA LAS CUCHILLAS EN CUALQUIER ÁNGULO, NO UTILICE ESE BASTÓN CON SU VASO.**

Si no posee el bastón-compactador correcto para su vaso, comuníquese con el servicio de Atención al Cliente de Vitamix en EE. UU. y Canadá al 800-437-4654 o enviando un correo electrónico a commercial@vitamix.com. Fuera de EE. UU. y Canadá al +1.440.782.2450 o enviando un correo electrónico a international@vitamix.com. Si necesita ayuda técnica, envíe un correo electrónico a: commercialts@vitamix.com.



⚠ ADVERTENCIA



Las cuchillas rotatorias pueden ocasionar lesiones graves.

NO coloque las manos, espátulas, etc. en el vaso mientras el aparato se encuentra en funcionamiento o mientras el vaso se encuentre sobre la base.

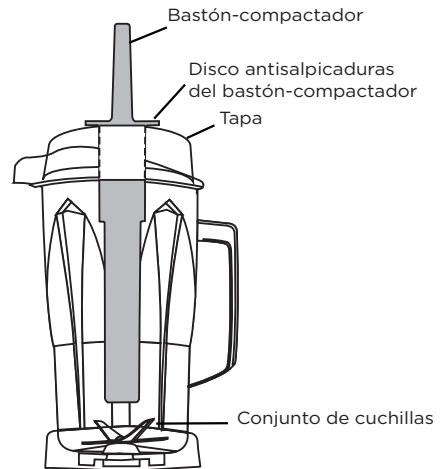
Las tapas y bastones-compactadores no son intercambiables entre diferentes estilos, tipos y tamaños de vaso. Utilice el bastón-compactador suministrado con su aparato.

No fuerce el bastón-compactador adentro del vaso de 32 onzas. No utilice un bastón-compactador sin un paso en cualquier vaso comercial de Vitamix.



¡IMPORTANTE!

- El disco antisalpicaduras (cerca del tope del bastón-compactador) y la tapa evitan que el bastón-compactador choque contra las cuchillas cuando la tapa está cerrada correctamente en la posición de bloqueo.
- El vaso no debería estar más de dos tercios lleno cuando se utiliza el bastón-compactador durante el proceso de licuado.
- Si la comida no circula, el aparato puede haber atrapado una burbuja de aire. Retire con cuidado el tapón de la tapa, al tiempo que se asegura que la tapa se encuentra firme en su lugar. Libere la burbuja de aire insertando el bastón-compactador a través de la abertura del tapón de la tapa. Siga utilizando el bastón-compactador para presionar los ingredientes contra la cuchilla para acortar el tiempo de procesamiento.
- Sustener el bastón-compactador en posición vertical hacia abajo para hacer que los ingredientes no circulen. Si es necesario, apunte el bastón-compactador hacia los costados o esquinas del vaso. **NO** intente forzar el bastón-compactador más adentro en el vaso.



⚠ ADVERTENCIA



NO exponga el vaso a temperaturas que superen los 210 °F (99 °C). NO exponga el vaso a líquidos o ingredientes calientes que superen los 210 °F (99 °C).

No deje la licuadora sin supervisión cuando esté en uso.

Sea precavido. El escape de vapor o las salpicaduras pueden producir escaldaduras. Nunca inicie en la velocidad más alta al licuar ingredientes calientes.

El tapón de la tapa debe retirarse solo al agregar ingredientes y al usar el bastón-compactador.

Siempre arranque la licuadora con el dial de velocidad variable en 1 y el interruptor de velocidad Alta/Baja en la posición baja. Nunca arranque en velocidades mayores de 1 o con el interruptor de velocidad Alta/Baja en la posición alta al licuar líquidos calientes para evitar posibles quemaduras.

Mejor calidad de licuado y rendimiento de la máquina - Temperatura de los ingredientes:

Temperatura de congelamiento: 0 °F (-17,7 °C)

Nota: no se recomienda licuar ingredientes a una temperatura menor a 0 °F (-17,7 °C).

- **Utilice la regulación Alta (Δ) por el máximo tiempo de procesamiento posible para hacer jugos naturales, sopas, licuados, mezclas congeladas, purés, mantecas de frutos secos y para moler granos. Los tiempos de procesamiento generalmente serán de menos de un minuto (la mayoría dura menos de 30 segundos).**
- **CONSEJO: licuar durante una gran cantidad de tiempo en una velocidad demasiado baja recalentará el aparato y provocará que la protección automática contra sobrecargas lo apague. El licuado en una velocidad alta (Δ) utiliza el ventilador de refrigeración del motor para evitar el recalentamiento.**
- Cuando se encuentra en la velocidad alta (Δ), si la comida no circula, retire cuidadosamente el tapón de la tapa mientras se asegura de que la tapa se mantenga firmemente en su lugar. Libere la mezcla insertando el bastón-compactador a través de la abertura del tapón de la tapa. Si los problemas de circulación continúan, reduzca la velocidad del aparato. Una velocidad más baja puede permitir la circulación de comida cuando una velocidad más alta no lo hace. Agregue líquido si es necesario. NO cargue en exceso. Una vez que la comida esté circulando libremente, incremente la velocidad de nuevo a Alta (Δ) y continúe procesando.
- Cuando haga mantecas de nuez, utilice el bastón-compactador para acortar el tiempo de procesamiento. Cuando licúe comidas a base de aceites, no procese por más de un minuto luego de que la mezcla comience a circular en el vaso. El procesamiento por períodos más prolongados puede causar daños al vaso y sobrecalentamiento del motor.
- Debido a la velocidad del aparato, los tiempos de procesamiento son mucho más rápidos que con los electrodomésticos estándar.
- **Protección automática contra sobrecargas:** el motor de su Vitamix está diseñado para protegerse a sí mismo del recalentamiento. Si el motor se apaga, presione el interruptor de Encendido/Apagado a la posición de Apagado. Gire el interruptor de encendido después de 5 minutos para verificar si la licuadora está reiniciada y lista para funcionar. La licuadora podría requerir hasta 45 minutos para reiniciarse.

1. Asegúrese de que el dial de velocidad variable se encuentre configurado en 1.
2. Cargue el vaso antes de ubicarlo sobre la base del motor. Primero, coloque los líquidos y las comidas blandas en el vaso, luego los elementos sólidos y el hielo en último lugar.
3. Ajuste de forma segura la tapa de dos piezas. Siempre utilice la tapa de dos piezas completa cuando licúe (a menos que el bastón-compactador se inserte a través de la abertura del tapón de la tapa). Cuando licúe ingredientes calientes, asegúrese de que la tapa esté cerrada con el pestillo de forma segura.

4. Con el motor apagado, fije el vaso de cuchillas húmedas sobre la base del motor alineándolo sobre la almohadilla centrante. No intente colocar el vaso sobre una base de motor en funcionamiento o encender una base de motor sin un vaso adecuadamente colocado en su lugar.
5. Arranque únicamente cuando el interruptor de velocidad Alta/Variable se encuentre en la posición Variable (Δ). Siempre inicie su máquina en velocidad variable 1. Active la máquina girando el interruptor de Encendido/Apagado a Encendido. Presione el interruptor de Iniciar/Detener. Aumente lentamente a la velocidad deseada. Su vaso se moverá y se ubicará en una posición alineada.
6. **Tome las precauciones adecuadas cuando manipule y procese ingredientes calientes y cuando haga sopas y salsas calientes.**
7. Luego de apagar el aparato, espere hasta que las cuchillas estén completamente detenidas antes de retirar la tapa o el vaso de la base del motor.

CUIDADO Y LIMPIEZA

⚠ ADVERTENCIA



Peligro de descarga eléctrica.

Desconectar la energía antes de limpiar el aparato.

El incumplimiento de las instrucciones puede causar la muerte o una descarga eléctrica.

Limpieza normal:

1. Llene la mitad del vaso con agua tibia y agréguele un par de gotas de detergente líquido para lavar platos. Cierre o empuje la tapa de dos partes completa a la posición de bloqueo.
2. Seleccione la velocidad variable 1. Encienda el aparato y aumente lentamente la velocidad hasta la velocidad variable 10 y, luego, hasta la Alta. Ponga en funcionamiento el aparato a velocidad Alta por 30 a 60 segundos.
3. Apague la máquina. Enjuague y vacíe el vaso.

Para desinfectar:

1. Realice las instrucciones de limpieza normal arriba indicadas.
2. Llene el vaso por la mitad con agua y agregue 1-1/2 cucharadita de blanqueador líquido. Cierre o empuje la tapa de dos partes completa a la posición de bloqueo.
3. Seleccione la velocidad variable 1. Encienda el aparato y aumente lentamente la velocidad hasta la velocidad variable 10 y, luego, hasta la Alta. Ponga en funcionamiento el aparato a velocidad Alta por 30 a 60 segundos.
4. Apague el aparato y deje que la mezcla permanezca en el vaso por un tiempo adicional de 1-1/2 minuto.
5. Deseche la mezcla de lavandina. Permita que el vaso se seque al aire. No enjuague después de la desinfección.

Tapa, tapón de la tapa y bastón-compactador

Separe la tapa y el tapón de la tapa. Lave las partes en agua tibia enjabonada. Enjuague bajo el agua corriente y, luego, seque. Volver a armar antes de usar.

Base del motor:

1. Desconecte el cable de alimentación.
2. Limpie la superficie externa con un paño o una esponja suaves y húmedos, previamente enjuagado en una solución suave de detergente líquido y agua tibia. No coloque la base del motor en agua.
3. La almohadilla centrante puede retirarse para una limpieza más profunda.
4. Limpie a fondo los interruptores para que puedan funcionar sin problemas. Pueden tomarse pegajosos por el uso. Humedezca un hisopo de algodón con un desengrasante o limpiador doméstico y limpie las ranuras alrededor de los interruptores. Seque inmediatamente todas las superficies.
5. Lustre con un paño suave.

Problemas:	Posibles acciones:
<ul style="list-style-type: none"> Mayor vibración Fuga de la parte inferior del vaso Mayor ruido en el vaso 	<ol style="list-style-type: none"> Verifique el conjunto de cuchillas para detectar componentes sueltos, dañados o mellados y reemplace. Ajuste la tuerca de retención con la llave de tuercas de retención, girando en sentido horario hasta que bien ajustada.
<ul style="list-style-type: none"> La máquina no funciona 	<ol style="list-style-type: none"> Vuelva a verificar para asegurarse de que el cable de alimentación esté firmemente dentro del tomacorriente. Verifique para asegurarse de que los interruptores estén limpios y se muevan con soltura. El protector térmico puede haber apagado la máquina. Si el motor se apaga, presione el interruptor de Encendido/Apagado a la posición de Apagado. Gire el interruptor de encendido después de 5 minutos para verificar si la licuadora está reiniciada y lista para funcionar. La licuadora podría requerir hasta 45 minutos para reiniciarse.
<ul style="list-style-type: none"> Mucho ruido de las cuchillas Las cuchillas no giran 	<ol style="list-style-type: none"> La cavidad de transmisión puede estar rota. Verifique si hay una grieta fina en el centro, o dientes desgastados, reemplace con una nueva cavidad de transmisión (elemento n.º 891). Las instrucciones están incluidas con la pieza. Los rodamientos de la cuchilla necesitan reemplazarse. Gire las cuchillas usando el acanalado de accionamiento en la parte inferior del vaso. Si las cuchillas giran con soltura sin resistencia, reemplace el conjunto de cuchillas.
<ul style="list-style-type: none"> La máquina no funciona cuando se activa el interruptor Start/Stop [Iniciar/Detener] 	<p>Verifique el interruptor de Iniciar/Detener para asegurarse de que esté en la posición de encendido. Nota: El interruptor de Iniciar/Detener se ilumina cuando se enciende la corriente.</p>

Si no puede arreglar su máquina con estas sugerencias, encontrará ayuda técnica disponible si llama al Soporte Técnico de Vitamix® al +1 800 886 5235. Si compró su equipo fuera de EE. UU., contáctese con su distribuidor Vitamix local o comuníquese con la División Internacional de Vitamix llamando al +1 440 782 2450 o enviando un correo electrónico a international@vitamix.com para ponerse en contacto con un distribuidor de su país. Para obtener ayuda en línea, visite www.vitamix.com/commercial.

¡NOTAS IMPORTANTES!

NOTA: El protector térmico puede haber apagado la máquina. Si el motor se apaga, presione el interruptor de Encendido/Apagado a la posición de Apagado. Gire el interruptor de encendido después de 5 minutos para verificar si la licuadora está reiniciada y lista para funcionar. La licuadora podría requerir hasta 45 minutos para reiniciarse. Puede acelerar el proceso de enfriamiento colocando la base del motor en un lugar fresco. Primero, desenchúfelo. Para acelerar el proceso, intente hacer circular el aire con una aspiradora o un ventilador apuntando a la parte inferior de la base. Cuando el protector térmico apague el motor, revise sus técnicas de procesamiento y sus instrucciones. Sus recetas pueden ser demasiado espesas (agregue líquido), procesarse por demasiado tiempo a una configuración de velocidad muy lenta, o tener demasiados ingredientes en ellas. Si el motor parece recalentarse pero el protector térmico no ha apagado la máquina, detenga la máquina y quite el vaso de la base.



Vita-Mix® Corporation
8615 Usher Road
Cleveland, OH 44138 U.S.A.

vitamix.com

©2017 Vita-Mix® Corporation. No part of this publication may be reproduced or transmitted in any form or by any means or stored in a database or retrieval system without the written permission of the Vita-Mix® Corporation.

123296_REV A 2/17 ENG/FC/SPA