

---

# User Manual for Tables

## Models

Salad Prep Table

Mega Top Table

Pizza Prep Table

Chef Base

Under counters & Worktop Tables

Deep undercounter Table

## **IMPORTANT**

This manual should be read carefully before the appliance is serviced. Read the warnings and guidelines contained in this manual carefully as they provide essential information for the continued safe use, service, and maintenance of the appliance. Retain this manual for any further reference that may be necessary.

## **INDEX**

<b>SPECIFICATION CHART .....</b>	<b>2</b>
<b>MACHINE INTRODUCTION .....</b>	<b>4</b>
1.1 Introduction to machine & models .....	4
1.2 Important safety information .....	4
1.3 For R290 (Propane) refrigerant units .....	4
<b>INSTALLATION.....</b>	<b>9</b>
2.1 General information .....	9
2.2 Transport, handling, unpacking, location .....	10
2.3 Intended use and restrictions.....	10
2.4 Manufacturer's identification label description .....	11
2.5 Installation and assembly .....	12
2.6 Connections .....	12
<b>OPERATION.....</b>	<b>13</b>
3.1 General information. ....	13
3.2 Control panel description. ....	13
3.2.1 Analog Thermostat .....	13
3.2.2 Electronic Control on Freezer Tables and for some refrigerator tables models .....	14
3.3 Machine settings and programs .....	15
3.3.1 Setting and programs. ....	15
<b>MAINTENANCE .....</b>	<b>16</b>
4.1 General safety rules.....	16
4.2 Machine cleaning and maintenance routine.....	16
4.2.1 Cleaning the Condenser Coil.....	16
4.2.2 Cleaning the Gasket.....	17
4.2.3 Draining the Unit .....	17
4.3 Machine disposal.....	17
<b>TROUBLESHOOTING CHART.....</b>	<b>18</b>
5.1 Troubleshooting chart .....	18
<b>ELECTRIC DIAGRAM.....</b>	<b>19</b>

## SPECIFICATION CHART

TYPE UNIT	SIZE	APPLICATION	TYPE GAS	AMOUNT GAS (Oz.)	VOLTAGE (V)	AMPERAGE (A)	
UNDER COUNTER TOP & WORK TOP TABLES	27	REFRIGERATION	R290	2.8	115	1.5	
			R-134a	5.6	220	1.9	
	36	REFRIGERATION	R290	2.8	115	1.5	
			R-134a	5.6	220	1.9	
	48	REFRIGERATION	R290	3.9	115	3.0	
			R-134a	7.7	220	3.5	
	60	REFRIGERATION	R290	3.9	115	3.0	
			R-134a	7.7	220	3.5	
	72	REFRIGERATION	R290	3.9	115	3.0	
			R-134a	7.7	220	3.5	
	UNDER COUNTER TOP & WORK TOP TABLES	27	FREEZER	R290	2.8	115	2.7
				R-404 A	9.5	220	8.2
48		FREEZER	R290	4.9	115	6.5	
			R-404 A	19.4	220	4.2	
60		FREEZER	R290	4.9	115	6.5	
			R-404 A	19.4	220	4.2	
SALAD PREP TABLE	27	REFRIGERATION	R290	2.8	115	1.5	
			R-134a	5.6	220	1.9	
	36	REFRIGERATION	R290	2.8	115	1.5	
			R-134a	5.6	220	1.9	
	48	REFRIGERATION	R290	3.9	115	3.0	
			R-134a	7.7	220	3.5	
	60	REFRIGERATION	R290	3.9	115	3.0	
			R-134a	7.7	220	3.5	
	72	REFRIGERATION	R290	3.9	115	3.0	
			R-134a	7.7	220	3.5	
	MEGA TOP TABLE	27	REFRIGERATION	R290	2.8	115	1.5
				R-134a	5.6	220	1.9
36		REFRIGERATION	R290	2.8	115	1.5	
			R-134a	5.6	220	1.9	
48		REFRIGERATION	R290	3.9	115	3.0	
			R-134a	7.7	220	3.5	
60		REFRIGERATION	R290	3.9	115	3.0	
			R-134a	7.7	220	3.5	
72		REFRIGERATION	R290	3.9	115	3.0	
			R-134a	7.7	220	3.5	

TYPE UNIT	SIZE	APPLICATION	TYPE GAS	AMOUNT GAS (Oz.)	VOLTAGE (V)	AMPERAGE (A)
PIZZA PREP TABLE	46	REFRIGERATION	R290	3.9	115	3.0
			R-134a	7.7	220	3.5
	67	REFRIGERATION	R290	3.9	115	3.0
			R-134a	7.7	220	3.5
	93	REFRIGERATION	R290	4.9	115	3.0
			R-134a	11.9	220	3.5
CHEF BASE	52	REFRIGERATION	R290	4.2	115	2.5
			R-134a	7.7	220	2.7
	56-60	REFRIGERATION	R290	4.2	115	2.5
			R-134a	7.7	220	2.7
	72	REFRIGERATION	R290	4.2	115	3.0
			R-134a	7.7	220	3.5
	84	REFRIGERATION	R290	4.2	115	3.0
			R-134a	7.7	220	3.5
	94	REFRIGERATION	R290	4.2	115	3.0
			R-134a	7.7	220	3.5
SIDE COND & DEEP UNDERCOUNTER TABLE	46	REFRIGERATION	R290	3.9	115	3.0
			R-134a	7.7	220	3.5
	67	REFRIGERATION	R290	3.9	115	3.0
			R-134a	7.7	220	3.5
	93	REFRIGERATION	R290	4.9	115	3.0
			R-134a	11.9	220	3.5

---

## **MACHINE INTRODUCTION**

### **1.1 Introduction to machine & models**

Thank you for choosing our Refrigerators and Freezers Tables which were designed and manufactured with the high quality materials and components to ensure the durability and performance of day at day with low energy consumption.

Details make this line unique.

- New enhanced digital controller and display.
- Digital controller refrigerators to keep food quality for longer period of time.
- Open door alarm and user friendly controls to adapt to different environments.
- Factory balanced refrigeration system, environmentally friendly R-134a / R-404A or R-290.
- Stainless steel coved corner floor to meet NSF requirements.
- 4" castors and door locks standard.
- Recessed door handles
- LED lights to showcase the best out of your products
- Glass door with dual, for refrigerators, and triple panel for freezers contributing to energy efficiency and savings.

### **1.2 Important safety information**



**DANGER:** Power must be turned off and disconnected from the power source whenever performing maintenance, repair or cleaning the condensing unit.

If machine still running when power is off, disconnect power at the circuit breaker before unplugging the machine.



**WARNING:** Machine and compressor warranties are void if failure is due to improper electrical installation.

Do not introduce hot foods, chemical or corrosive products, drugs, or open beverage bottles.

### **1.3 For R290 (Propane) refrigerant units**



**Warning:** this unit uses R-290(propane) as refrigerant. These hydrocarbon refrigerants are highly environmentally compatible but also are flammable and combustible. Please read this manual thoroughly before installing and operating the unit. Please take cautious measures to avoid risk of fire or explosion.

**PLEASE REFERER TO LABEL INSIDE THE CABINET TO CHECK REFRIGERATION TYPE**



**DANGER** - Risk of fire or explosion. Flammable refrigerant used. Do not use mechanical devices to defrost refrigerator. Do not puncture refrigerant tubing. Consult repair manual/owner's guide before attempting to service this product. All safety precautions must be followed.



**DANGER** - Risk of fire or explosion. Flammable refrigerant used. To be repaired only by trained service personnel. Do not puncture refrigerant tubing.



**CAUTION** - Risk of fire or explosion. Dispose of properly in accordance with federal or local regulations. Flammable refrigerant used.



**DANGER** - Risk of fire or explosion due to puncture of refrigerant tubing; follow handling instructions carefully. Flammable refrigerant used.



**WARNING**

- Keep ventilation opening in the appliance enclosure or in the built-in structure and free of obstructions.
- Do not use mechanical devices or other means to accelerate the defrosting process, other than those recommended by the manufacturer.
- Do not damage the refrigerant circuit.
- Do not use electrical appliances inside the food storage compartments of the appliance, unless they are of a type recommended by the manufacturer.


---

## **WARNING**

The appliance should be destined only to the use for which it has been expressly conceived. Any other use should be considered improper and therefore dangerous.

The manufacturer cannot be held responsible for injury or damage resulting from improper, incorrect, and unreasonable use. Failure to install, operate, and maintain the appliance in accordance with this manual will adversely affect safety, performance, component life, and warranty coverage.

**To reduce the risk of death, electric shock, serious injury, or fire, follow basic precautions including the following:**

- Only qualified service technicians should install and service the appliance.
- The appliance must be installed in accordance with applicable national, state, and local codes and regulations.
- Appliance is heavy. Use care when lifting or positioning. Work in pairs when needed to prevent injury or damage. Do not lift using the top section or the doors.
- To reduce the risk of electric shock, do not touch the plug or power switch with damp hands.
- Make sure the power switch is in the “OFF” position before plugging in or unplugging the appliance the risk of electric shock.
- Before servicing, move the power switch to the “OFF” position. Unplug the appliance from electrical outlet.
- This appliance requires an independent power supply of proper capacity. See name plate for electrical specifications. Failure to use an independent power supply of proper capacity can result in a tripped breaker, blown fuse, damage to existing wiring, or component failure. This could lead to heat generation or fire.
- **115 VAC Models: THE APPLIANCE MUST BE GROUNDED:** The appliance is equipped with a NEMA 5-15 three-prong grounding plug  to reduce the risk of potential shock hazards. It must be plugged into a properly grounded, independent 3-prong wall outlet. If the outlet is a 2-prong outlet, it is your personal responsibility to have a qualified electrician replace it with a properly grounded, independent 3-prong wall outlet. Do not remove the ground prong from the power cord and do not use an adapter plug. Failure to follow these instructions may result in death, electric shock, or fire. Handle the unit with care in order to avoid any serious damages to the refrigeration system. The refrigerant tubing, condenser, evaporator coils are easily prone to damage while handling, moving, installing, and cleaning the unit, which may lead to fire or even explosion.

- 
- The appliance is designed only for storage and display of non-potentially-hazardous bottled or canned products only. Employ sanitary methods. Use for any other purposes (for example, storage of chemicals or medical supplies such as vaccine and serum) could cause deterioration of stored items.
  - Do not use an extension cord.
  - Do not use an appliance with damaged power cord. The power cord should not be altered, jerked, bundled, weighed down, pinched, or tangled. Such actions could result in electric shock or fire. To unplug the appliance, be sure to pull the plug, not the cord, and do not jerk the cord.
  - The GREEN ground wire in the factory-installed power cord is connected to the appliance. If it becomes necessary to remove or replace the power cord, be sure to connect the power cord's ground wire.
  - Do not splash, pour, or spray water directly onto or into the appliance. This might cause short circuit, electric shock, corrosion or failure.
  - Do not make any alterations to the appliance. Alterations could result in electric shock, injury, fire, or damage to the appliance.
  - The appliance is not intended for use by persons (including children) with reduced physical, sensory, or mental capabilities, or lack of experience and knowledge, unless they have been given supervision or instruction concerning use of the appliance by a person responsible for their safety.
  - Children should be properly supervised around the appliance.
  - Do not climb, stand, or hang on the appliance or doors or allow children or animals to do so. Do not climb into the appliance or allow children or animals to do so. Death or serious injury could occur or the appliance could be damaged.
  - Be careful not to pinch fingers when opening and closing the doors when children are in the area.
  - Open and close the doors with care. Opening the doors too quickly or forcefully may cause injury or damage to the appliance or surrounding equipment.
  - Do not use combustible spray or place volatile or flammable substances in or near the appliance. They might catch fire.
  - Keep the area around the appliance clean dirt, dust or insects in the appliance could cause harm to individuals or damage to the equipment.
  - Do not throw anything onto the shelves or load any single shelf with more than 100lb.(45 kg) of product they might fall off and cause injury
  - Do not block air inlets or outlets, otherwise cooling performance may be reduced.



- 
- Do not tightly pack the cabinet. Allow some space between items to ensure good air flow. Also allow space between items and interior surfaces.
  - Refrigerant squirting out of the pipes could ignite or cause an eye injury. If a leak is detected, avoid any open flames or potential sources of ignition and air out the room in which the appliance is standing for several minutes.
  - In order to avoid the creation of a flammable gas-air mixture in case of a leak in the refrigerating circuit, the size of the room in which the appliance is placed depends on the amount of refrigerant used. The amount of refrigerant in your particular appliance is shown on the label inside the cabinet.



This appliance contains a small amount of propane (R-290) a gas with high environmental compatibility, but it is also combustible. When transporting and installing the appliance, care should be taken to ensure that no part of the refrigerating circuit are damaged.

- Never start up an appliance showing any signs of damage. When in doubt, contact a qualified service professional.
- In case of any hazardous activities such as fire or explosion, move the unit away from any source of ignition to a well ventilated area.
- Further service and repair must be done by a qualified technician who is familiar with the safety standards, and also has thorough understanding and knowledge of the flammable refrigerants.
- Any and all technicians handling these units must be equipped with proper personal protection and equipment and follow applicable safety measures and precaution to avoid risk of fire or explosion.

# INSTALLATION

## 2.1 General information

You can find in you equipment the following symbols, or stickers to identify some type of warnings or useful information about your equipment.



---

## **2.2 Transport, handling, unpacking, location**

Upon receiving your new equipment, check the package and the machine for any damages that may have occurred during transportation. Visually inspect the exterior of the package, if damaged, open and inspect the contents with the carrier. Any damage should be noted and reported on the delivering carrier's receipt.

In the event that the exterior is not damaged, yet upon opening, there is concealed damage to the equipment notify the carrier immediately. Notification should be made verbally as well as in written form. Request an inspection by the shipping company of the damaged equipment.

Retain all crating material until inspection has been made. Contact the dealer through which you purchased the unit.

Check the compressor compartment housing and visually inspect the refrigeration package. Be sure lines are secure and base is still intact.

## **2.3 Intended use and restrictions**

This equipment is not designed for personal, family, or household purposes, and its sale for such purposes is not intended. In the event the equipment is so used, this warranty shall be null and void, and the equipment is so used, this warranty shall be null and void, and the equipment shall be deemed to have been sold "as is-where is" without any warranty of any kind, including without limitation any warranty of title, non-infringement, merchant-ability or fitness for a particular purpose.

The appliance complies with **UL471** and **NSF-7 STANDARDS**.

## 2.4 Manufacturer's identification label description

The data plate is located inside the cabinet, near the top front, left corner. Under no circumstances should the data plate be removed from the unit. The data plate is essential to identify the particular features of your machine and it is of great benefit to installers, operators, and maintenance personnel. It is recommended that, in the event the data plate is removed, you copy down the essential information in this manual for reference before installation. Removal of data plate will void the warranty.

		<b>19032041</b>			
		FIM970306PH5 MADE IN MEXICO			
Model	MOD	ABBC 58 G	SN	8101678173	2019
Electrical specs	115V 50/60Hz		1P	6,5A	
Pot. Frigorífica Refrig. Capacity (BTU/hr / W)		2345/690	Lámpara Lamp	5.0 W	Descarche Defrost
Calefactor Heater		0	Clase Climat. Climate Class	N	Temp. -2°C / 5°C
Peso Neto Net Weight (Libras / kg)			Agente Expandente Blowing Agent	ECO	Condensación Condenser
PCA GWP		1430	Refrigerant	R-134a	Carga Refrig. Refrig. Weight (Onzas / g)
				9.9/280	
Presión de diseño lado de baja Low side pressure design (PSI / BAR)		132/9		Compresor Compressor (HP)	
Presión de diseño lado de alta High side pressure design (PSI / BAR)		300/20		1/3	
N.			8101678173		
MOD.	ABBC G 58 115V 50/60Hz		19032041		
N.			8101678173		
MOD.	ABBC G 58 115V 50/60Hz		19032041		

---

## **2.5 Installation and assembly**

Units represented in this manual are intended for indoor use only. Be sure the location chosen has a floor strong enough to support the total weight of the unit and contents. For the most efficient operation, be sure to provide good air circulation inside and outside of the unit.

### **INSIDE CABINET**

The first cleaning must be made when you unpack the unit and before switching it on. Clean it with water and a mild detergent. When it is clean and dry, insert the accessories in the appropriate places, for the best use of the user.

### **OUTSIDE CABINET**

Be sure the unit has good air circulation around it. Avoid hot corners and locations near stoves and ovens. It is recommended the unit be installed no closer than 2" from any wall. The place where the refrigerator is placed must be open and clean, avoiding that de fan of the condensing unit absorbs materials which are deposited then into the condenser blades and coil, which can produce failures.

**The unit should not be installed under ambient temperatures higher than 100 °F.**

**If the relative humidity is higher than 60 %, the door frames may sweat water. This is not a malfunctioning of the unit.**

## **2.6 Connections**

Refer to the amperage data in this manual or on data plate in the equipment and your local code or the National Electrical Code to be sure unit is connected to the proper power source. Verify correct incoming voltage according to the Data Plate information.

The data plate is located inside the unit, near the top front left corner. Under any circumstances should the data plate be removed from the unit!

The data plate is essential to identify the particular features of your unit and is of great benefit to installers, operators and maintenance personnel. It is recommended that, in the event the data plate is removed, you copy down the essential information in this manual for reference before installation.

A protected circuit of the correct voltage and amperage must be run for connection of the supply cord. Unit must be grounded and connected in accordance with NEC Article 422 Appliances.

## OPERATION

### 3.1 General information.

Good air flow inside the cabinet is critical. Do not block air flow to the fans. Allow three inches of space along the front, back, and sides.

### 3.2 Control panel description.

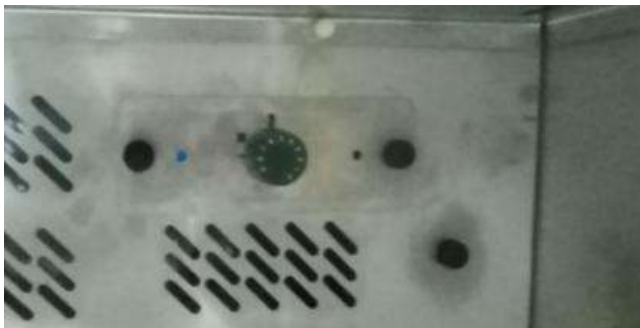
#### 3.2.1 Analog Thermostat

##### ONLY REFRIGERATOR MODELS

Before you connect the unit to the power supply, verify the thermostat is NOT in the OFF position (the position of the thermostat must be different than zero). If the thermostat is in the OFF position, the compressor will not run. Keep in mind, the evaporator fan and lights will still have power while the thermostat is in the OFF position.

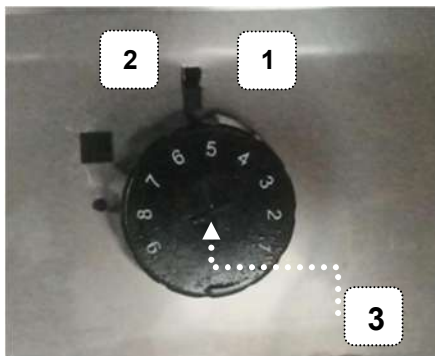
The knob of the thermostat is the temperature controller. This is located inside the cabinet. (See figure 1) Please be sure that the knob of thermostat is pointing to the yellow arrow (See figure # 2). This position is recommended by the factory to assure correct function of the equipment.

FIGURE 1



Thermostat there is located inside the unit on the right side

FIGURE 2



1. For best performance knob should be pointing mark. Factory Setting on # 5
2. Position thermostat to zero, compressor will not work.
3. Knob to adjust thermostat settings.
4. Knob position in "# 1", for warmest temperature, and Knob position in "# 9" for coldest temperature.

**Note:**

Keep in mind, if you move the knob to a different position that is recommend from factory, these temperature will change, as well.

The knob position near the number one, gives you the warmest temperature and the knob position near the number nine, gives you the coldest temperature. **For the best performance the knob position setting from factory is on # 5**

**3.2.2 Electronic Control on Freezer Tables and for some refrigerator tables models**

After connecting your unit, turn ON general switch located next to the controller. The display will light up showing the temperature inside the unit. Also, the compressor icon will be flashing for a period of three minutes. After this delay the unit will start cooling.

Verify you don't have any alarms on the display. If after you turn ON the equipment the controller shows the alarm icon or an error code, call for technical service. They will help you fix the problem.



## 3.3 Machine settings and programs

### 3.3.1 Setting and programs.

#### Changing the Set Point of the temperature on the controller

The unit comes with a factory default set point ( 32°F Refrigerators and -8F for Freezers). These set values will make the unit perform at its maximum capacity. Therefore, it is not recommended to change the set point. If set point needs to be changed, follow the next steps.

1. Push the SET button for until see the “uIn” on the display to unlock the controller and release, then Push the SET button again and you should see a flashing number. Release the button.



2. Press the up and down arrows to increase or decrease the set temperature. Then press the set button to save the new set point.

Note:

The maximum value you can set in the controller is for refrigerators: 3.3°C (38°F) and -16C (3°F) for Freezers

The minimum value you can set in the controller is: For refrigerators: 0°C (32°F) and -23°C (-9°F) for Freezers

#### Manual Defrost

To select manual defrost, hold the button UP button arrow for 5 seconds. The snow flake icon will appear on the display. When this icon is solid it indicates that the equipment is in Defrost mode.



To exit manual defrost, hold the UP button arrow for 5 seconds. The snow flake icon will turn off. Wait 2 minutes for the compressor to start

**IF YOU NEED MORE INFORMATION PLEASE CONTACT THE TECHNICAL SUPPORT**



---

## **MAINTENANCE**

### **4.1 General safety rules**

Neglecting the condenser coil cleaning procedures WILL VOID YOUR WARRANTY associated with the compressor or cost to replace the compressor!

Proper cleaning of stainless steel requires soft cloths or plastic scouring pads. Never use steel pads, wire brushes or scrapers!

### **4.2 Machine cleaning and maintenance routine**

Cleaning solutions need to be alkaline or non-chloride cleaners. Any cleaner containing chlorides will damage the protective film of the stainless steel. Chlorides are also commonly found in hard water, salts, and household and industrial cleaners. If cleaner containing chlorides are used be sure to rinse repeatedly and dry thoroughly upon completion.

Routine cleaning of stainless steel can be done with soap and water. Extreme stains or grease should be cleaned with a non-abrasive cleaner and plastic scrub pad. There are also stainless steel cleaners available which can restore and preserve the finish of the steels protective layer.

Never use an acid based cleaning solution! Many food products have an acidic content which can deteriorate the finish. Be sure to clean the ALL food products from any stainless steel surface. Common items include peppers, tomatoes and other vegetables.

#### **4.2.1 Cleaning the Condenser Coil**

Disconnect machine. Remove front bottom panel and carefully slide out the condensing unit. The condenser coil requires regular cleaning; recommended every 30-60 days, depending of the accumulation of dust and grease. If the buildup on the coil consists of only light dust and debris the condenser coil can be cleaned with a simple brush. Heavier dust build up may require a vacuum or even compressed air to blow through the condenser coil. If heavy grease is present there are de-greasing agents available for refrigeration use and specifically for the condenser coils. The condenser coil may require a spray with the de-greasing agent and then blown through with compressed air.

Be sure all electrical and mechanical parts are dry before turning on the power.

Never use a high pressure water wash for this cleaning procedure as water can damage the electrical components located near or at the condenser coil. Do not place filter material in front of condenser coil. This material blocks air-flow to the coil similar to having a dirty coil!

If you keep the Condenser clean you will minimize your service expense and lower your electrical costs. Failure to maintain a clean condenser coil can initially cause high temperatures and excessive run times. Continuous operation with dirty or clogged condenser coils can result in compressor failures.

To put back the condensing unit in its place, slide in the unit carefully. BE SURE DRAIN PIPE IS LOCATED OVER THE PAN. Replace front bottom panel.

---

### 4.2.2 Cleaning the Gasket

Gaskets require regular cleaning to prevent mold and mildew build up and also to keep the elasticity of the gasket. Gasket cleaning can be done with the use of warm soapy water. Avoid full strength cleaning products on gaskets as this can cause them to become brittle and prevent proper seals. Also, never use sharp tools or knives to scrape or clean the gasket which could possibly tear the gasket and rip the bellows.

Gaskets can easily be replaced and do not require the use of tools or authorized service persons.

The gaskets can be pulled out of the grove in the door and new gaskets can be “pressed” back into place.

### 4.2.3 Draining the Unit

Each unit has a drain located inside the unit which removes the condensation from the evaporator coil and evaporates it at an external condensate evaporator pan. Each drain can become loose or disconnected from moving or bumping the drain.

**IF YOU NOTICE EXCESSIVE WATER ACCUMULATION ON THE INSIDE OF THE UNIT** be sure the drain tube is connected from the evaporator housing to the condensate evaporator drain pan.

**IF WATER IS COLLECTED UNDERNEATH THE UNIT** you may want to check the condensate evaporator drain tube to be sure it is still located inside the drain pan. The leveling of the unit is important as the units are designed to drain properly when on a level surface, if your floor is not level this can also cause drain problems. Be sure all drain lines are free of obstructions; typically food product is found blocking drain lines causing water to back up and overflow the drain pans.

## 4.3 Machine disposal

The product's life-cycle is around 7 to 10 year from first use and operation date.

This equipment is manufactured without dangerous or toxic materials. Some parts of the equipments are biodegradable.

The disposing after the **product's life-cycle** shall be determined by the customer according to the rules and laws established in the city or State of residence.

REMEMBER TO TAKE CARE OF THE ENVIRONMENT.

---

## **TROUBLESHOOTING CHART**

### **5.1 Troubleshooting chart**

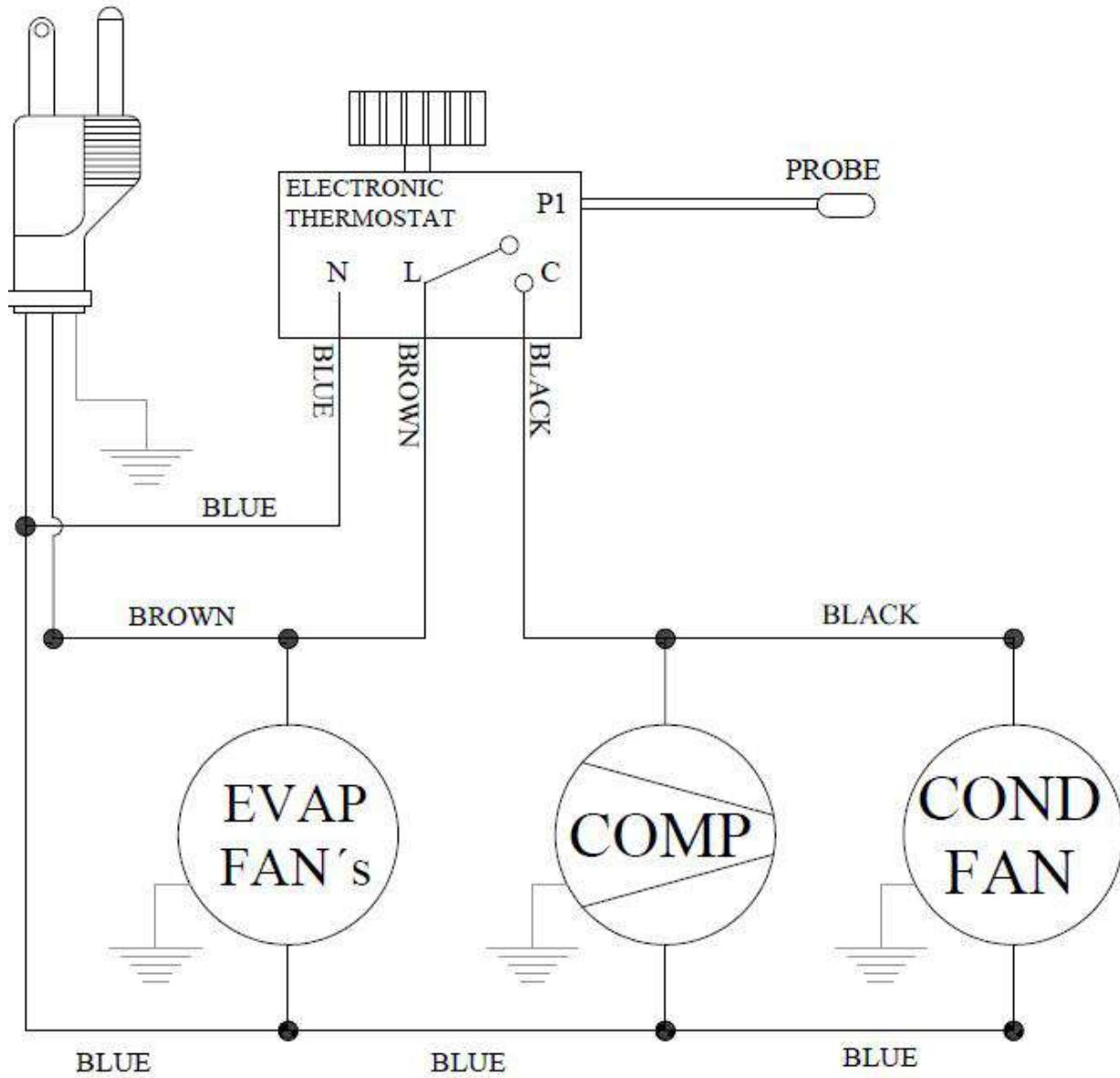
Follow the next steps before requesting warranty service. Failure to do so, may result in service charges for you and may void your warranty:

- 1) Refrigerator doesn't work:
  - a. Check that the machine is still connected.
  - b. Check that the ON/OFF button is in the ON position.
  
- 2) Refrigerator doesn't reach temperature :
  - a. Verify unit is not on saving mode
  - b. Check that the thermostat is not in OFF position.
  - c. Check that the machine is not in the defrost cycle.
  - d. Ensure Equipment is in a ventilated place and removed minimum of 2 inches from any other appliance and away from any heat source.
  - e. The environment maximum temperature must be 38 °C/ 100°F.
  - f. To insure proper air flow, product must not be placed higher than the maximum level mark located on the internal wall of the unit.
  - g. If FREEZER, check that the temperature is not Celsius.
  - h. Check that the gasket is in good condition and door is sealed.
  - i. Check that the fan is moving. Open the door and press and hold doors witch for verification.
  - j. Don't put any food inside until the unit has reached the proper temperature.
  - k. If FREEZER, food must be previously frozen before being placed inside the cabinet.
  - l. Be sure castors or legs were installed.
  
- 3) There is water inside the refrigerator:
  - a. Check that the drain pan inside the cabinet is in position.
  - b. Check that there is not food clogging the drain line.
  
- 4) There is water under the refrigerator:
  - a. Check that the drain pipe is over the pan.
  - b. Check that the cabinet is level.

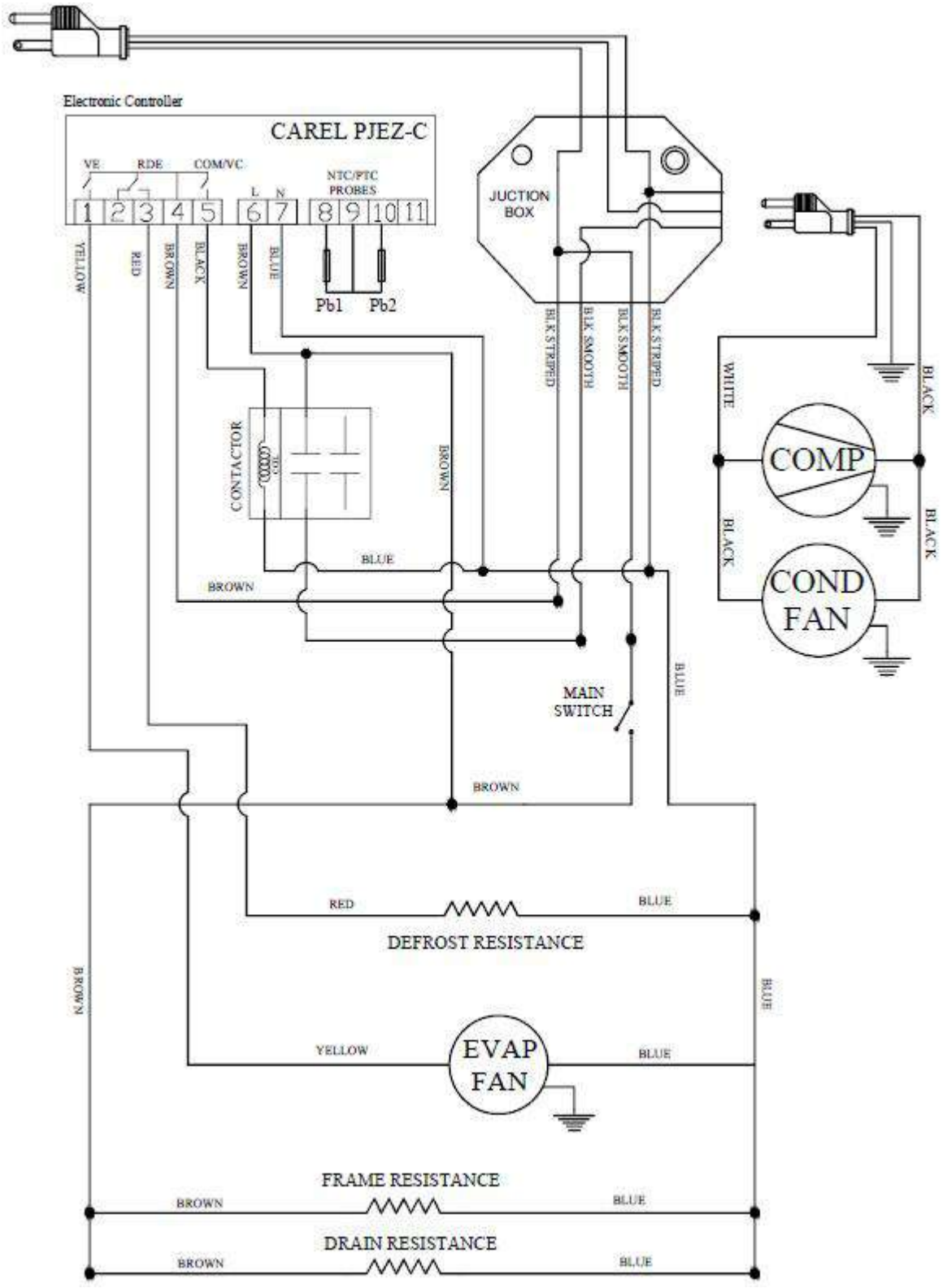
Warning: To insure proper operation of equipment, it is recommended that the unit is on for 24 hours prior to the introduction of perishables.

# ELECTRIC DIAGRAM

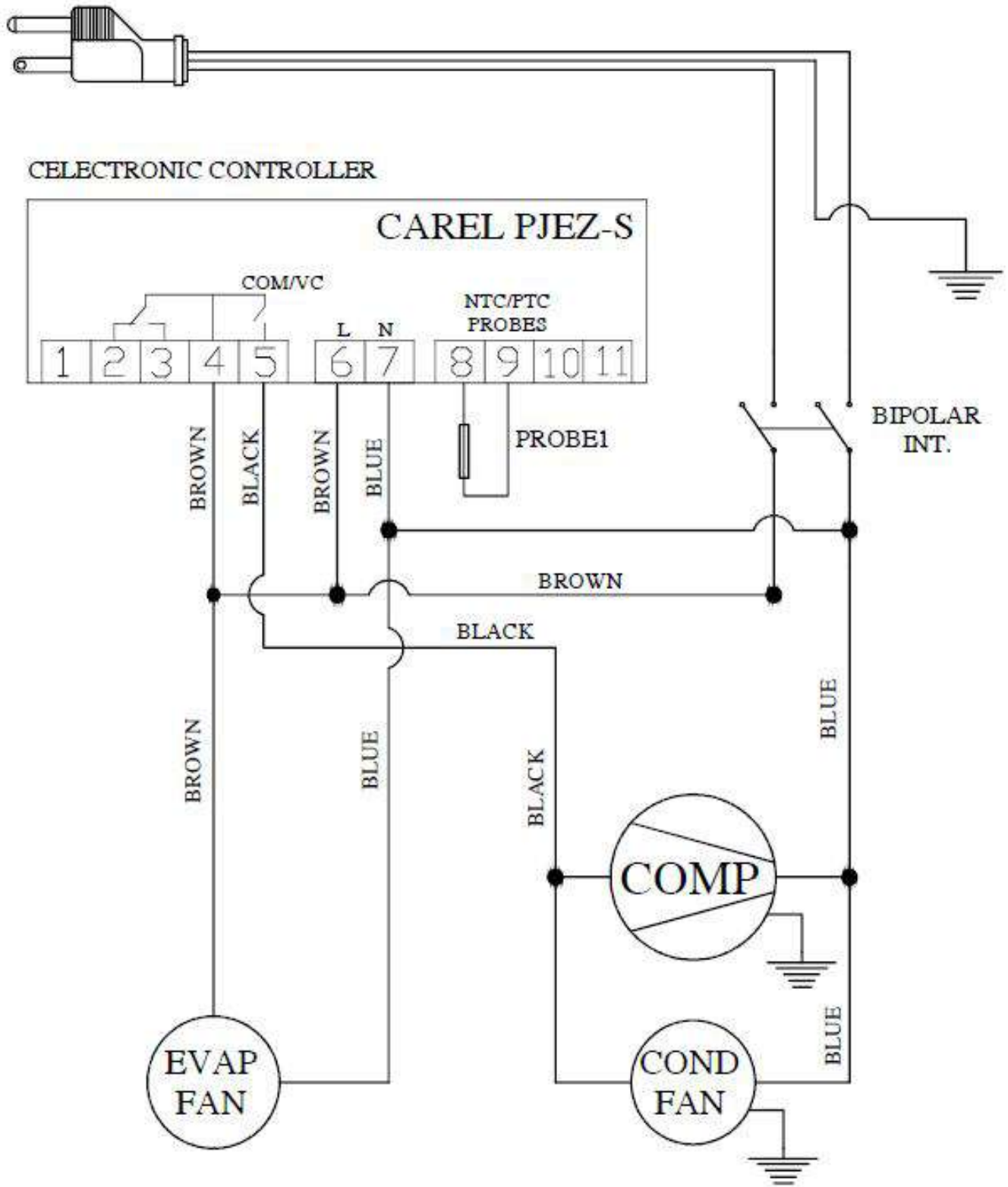
REFRIGERATION TABLES 27" - 72" / 46" - 93"



**FREEZER TABLES 27"- 60"**



CHEF BASE 52"-94"



---

# Manual de usuario para Mesas

## Modelos

Salad Prep Table

Mega Top Table

Pizza Prep Table

Chef Base

Under counters & Worktop Tables

Deep Undercounter Table

---

# ÍNDICE

<b>TABLA ESPECIFICACIONES</b> .....	2
<b>INTRODUCCIÓN</b> .....	4
1.1    Introducción a los equipos y modelos .....	4
1.2    Información de seguridad .....	4
1.3    Para R290 (Propano) unidades de refrigeración .....	4
<b>INSTALACIÓN</b> .....	7
2.1    Información General .....	7
2.2    Transporte, manejo, desempaque y localización .....	8
2.3    Uso y restricciones .....	8
2.4    Placa de identificación del Fabricante .....	9
2.5    Instalación y Ensamble .....	10
2.6    Conexiones .....	10
<b>OPERACIÓN</b> .....	11
3.1    Información General .....	11
3.2    Descripción del panel de control .....	11
3.2.1    Termostato analógico .....	11
3.2.2    Control electrónico .....	12
3.3    Configuraciones del Equipo .....	13
3.3.1    Configuraciones .....	13
<b>MANTENIMIENTO</b> .....	14
4.1    Reglas de seguridad general .....	14
4.2    Rutina de limpieza y mantenimiento del equipo .....	14
4.2.1    Limpiando el condensador .....	14
4.2.2    Limpieza del empaque plástico .....	15
4.2.3    Drenado .....	15
4.3    Disposición del equipo .....	15
<b>SOLUCIONANDO PROBLEMAS</b> .....	16
5.1    Solucionando problemas .....	16



## TABLA ESPECIFICACIONES

TYPE UNIT	SIZE	APLICATION	TYPE GAS	AMOUNT GAS (Oz.)	VOLTAGE (V)	AMPERAGE (A)
UNDER COUNTER TOP & WORK TOP TABLES	27	REFRIGERATION	R290	2.8	115	1.5
			R-134a	5.6	220	1.9
	36	REFRIGERATION	R290	2.8	115	1.5
			R-134a	5.6	220	1.9
	48	REFRIGERATION	R290	3.9	115	3.0
			R-134a	7.7	220	3.5
	60	REFRIGERATION	R290	3.9	115	3.0
			R-134a	7.7	220	3.5
	72	REFRIGERATION	R290	3.9	115	3.0
			R-134a	7.7	220	3.5
UNDER COUNTER TOP & WORK TOP TABLES	27	FREEZER	R290	2.8	115	2.7
			R-404 A	9.5	220	8.2
	48	FREEZER	R290	4.9	115	6.5
			R-404 A	19.4	220	4.2
	60	FREEZER	R290	4.9	115	6.5
			R-404 A	19.4	220	4.2
SALAD PREP TABLE	27	REFRIGERATION	R290	2.8	115	1.5
			R-134a	5.6	220	1.9
	36	REFRIGERATION	R290	2.8	115	1.5
			R-134a	5.6	220	1.9
	48	REFRIGERATION	R290	3.9	115	3.0
			R-134a	7.7	220	3.5
	60	REFRIGERATION	R290	3.9	115	3.0
			R-134a	7.7	220	3.5
	72	REFRIGERATION	R290	3.9	115	3.0
			R-134a	7.7	220	3.5
MEGA TOP TABLE	27	REFRIGERATION	R290	2.8	115	1.5
			R-134a	5.6	220	1.9
	36	REFRIGERATION	R290	2.8	115	1.5
			R-134a	5.6	220	1.9
	48	REFRIGERATION	R290	3.9	115	3.0
			R-134a	7.7	220	3.5
	60	REFRIGERATION	R290	3.9	115	3.0
			R-134a	7.7	220	3.5
	72	REFRIGERATION	R290	3.9	115	3.0
			R-134a	7.7	220	3.5

TYPE UNIT	SIZE	APPLICATION	TYPE GAS	AMOUNT GAS (Oz.)	VOLTAGE (V)	AMPERAGE (A)
PIZZA PREP TABLE	46	REFRIGERATION	R290	3.9	115	3.0
			R-134a	7.7	220	3.5
	67	REFRIGERATION	R290	3.9	115	3.0
			R-134a	7.7	220	3.5
	93	REFRIGERATION	R290	4.9	115	3.0
			R-134a	11.9	220	3.5
CHEF BASE	52	REFRIGERATION	R290	4.2	115	2.5
			R-134a	7.7	220	2.7
	56-60	REFRIGERATION	R290	4.2	115	2.5
			R-134a	7.7	220	2.7
	72	REFRIGERATION	R290	4.2	115	3.0
			R-134a	7.7	220	3.5
	84	REFRIGERATION	R290	4.2	115	3.0
			R-134a	7.7	220	3.5
	94	REFRIGERATION	R290	4.2	115	3.0
			R-134a	7.7	220	3.5
SIDE COND & DEEP UNDERCOUNTER TABLE	46	REFRIGERATION	R290	3.9	115	3.0
			R-134a	7.7	220	3.5
	67	REFRIGERATION	R290	3.9	115	3.0
			R-134a	7.7	220	3.5
	93	REFRIGERATION	R290	4.9	115	3.0
			R-134a	11.9	220	3.5

---

# INTRODUCCIÓN

## 1.1 Introducción a los equipos y modelos

Mesas de preparación presenta mejor diseño, rendimiento y eficiencia a diferencia de su clase.

Las Mesas de preparación ofrecen un espacio de trabajo limpio, cómodo y resistente al mismo tiempo ofrecen un eficiente y confiable sistema de refrigeración.

Todas de acero inoxidable interior y exterior, con aislamiento de alta densidad, las puertas de cierre automático y manteniéndola abierta a 120°, característica para la mejor conveniencia

- Puertas de cierre automático para asegurar la máxima eficiencia.
- Puerta gruesa con incrustaciones de diseño para proteger las juntas.
- Calibre 18 en parte superior de acero inoxidable para mayor durabilidad.
- Rieles para deslice del compresor para capacidad de servicio.
- Evaporador de gas caliente en la bandeja recolectora para una condensación eficiente.

## 1.2 Información de seguridad



**PELIGRO:** El equipo debe ser apagado y desconectado de la fuente de alimentación cuando realizar el mantenimiento, reparación o limpieza de la unidad condensadora.

Si la máquina sigue funcionando cuando está apagado, desconecte la alimentación principal antes de desenchufar la máquina.

Cuando vaya a realizar alguna operación de mantenimiento, reparación y/o limpieza se debe apagar y desconectar el equipo del suministro de energía.



**ADVERTENCIA:** La garantía de la maquina y el compresor se anulan debido a la instalación eléctrica inadecuada.

No introduzca alimentos calientes, productos químicos o corrosivos, drogas o botellas destapadas.

## 1.3 Para R290 (Propano) unidades de refrigeración



**ADVERTENCIA:** Esta unidad usa R-290(propano) como refrigerante. Estos refrigerantes de hidrocarburos son altamente compatibles con el medio ambiente pero también son inflamables y combustibles. Por favor lea este manual minuciosamente antes de instalar y operar la unidad. Por favor tome medidas de precaución para evitar el riesgo de incendio o exposición.

**POR FAVOR, VEA LA ETIQUETA DENTRO DEL GABINETE PARA COMPROBAR TIPO DE REFRIGERACIÓN Y VOLUMEN.**



**PELIGRO** – Riesgo de incendio o explosión. Utiliza refrigerante inflamable. No utilice dispositivos mecánicos para descongelar el refrigerador. No perforo la tubería de refrigerante.



**PELIGRO** - Riesgo de incendio o explosión. Utiliza refrigerante inflamable. Solo puede ser reparado por personal capacitado. No perforo la tubería de refrigerante.



**PRECAUCION** - Riesgo de incendio o explosión. Deséchese adecuadamente de acuerdo con las regulaciones federales o locales. Utiliza refrigerante inflamable.



**PRECAUCION** - Riesgo de incendio o explosión. Utiliza refrigerante inflamable. Consulte el manual de reparación/guía del usuario antes de intentar reparar este producto. Deben seguirse todas las precauciones de seguridad.



**PRECAUCION** - Riesgo de incendio o explosión debido a la perforación de la tubería de refrigerante; siga las instrucciones de manejo cuidadosamente. Utiliza refrigerante inflamable.



**ADVERTENCIA**

- Mantenga la abertura de ventilación en el gabinete del aparato o en la estructura libre de obstrucciones.
- No utilice dispositivos mecánicos u otros medios para acelerar el proceso de descongelación que no sean los recomendados por el fabricante.
- No ocasione daños al circuito de refrigeración.
- No use dispositivos eléctricos dentro de los compartimientos de almacenamiento de alimentos del aparato, a menos que sean del tipo recomendado por el fabricante.

---

## **ADVERTENCIA**

- Maneje la unidad con cuidado para evitar daños graves al sistema de refrigeración.
- La tubería de refrigerante, el condensador y los serpentines del evaporador son fácilmente propensos a dañarse al manipular, mover, instalar y limpiar la unidad, lo que puede provocar un incendio o incluso una explosión.
- El refrigerante que sale de las tuberías podría incendiarse o causar una lesión en los ojos. Si se detecta una fuga, evite las llamas abiertas o las posibles fuentes de ignición y ventile la habitación en la que se encuentra el aparato durante varios minutos.
- Para evitar la creación de una mezcla inflamable de gas y aire en caso de una fuga en el circuito de refrigeración, el tamaño de la habitación en la que se coloca el aparato depende de la cantidad de refrigerante utilizado. La cantidad de refrigerante en su aparato particular se muestra en la etiqueta dentro del gabinete.



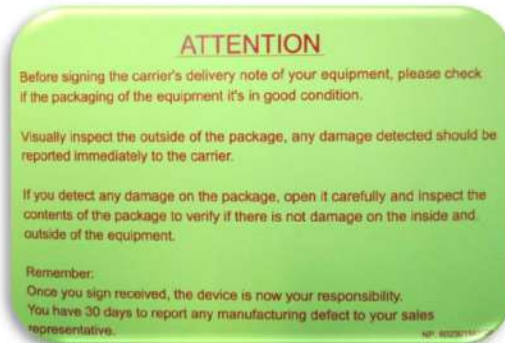
Este aparato contiene una pequeña cantidad de propano (R-290) un gas con alta compatibilidad ambiental, pero también es combustible. Al transportar e instalar el aparato, se debe tener cuidado para asegurar que ninguna parte del circuito de refrigeración esté dañada.

- Nunca encienda un aparato que muestre signos de daño. En caso de duda, póngase en contacto con un profesional calificado.
- En caso de cualquier actividad peligrosa, como un incendio o una explosión, aleje la unidad de cualquier fuente de ignición a un área bien ventilada.
- Un técnico calificado que esté familiarizado con los estándares de seguridad, que además de comprender y conocer los refrigerantes inflamables, debe realizar el servicio y las reparaciones adicionales.
- Todos y cada uno de los técnicos que manejan estas unidades deben estar equipados con equipo y equipo de protección personal adecuado y cumplir con las medidas de seguridad y precauciones adecuadas para evitar el riesgo de incendio o explosión.

# INSTALACIÓN

## 2.1 Información General

En el equipo usted encontrara los siguientes simbolos y/o etiquetas que le ayudaran a identificar peligros y/o informacion util relacionada con su equipo.



---

## 2.2 Transporte, manejo, desempaque y localización

Al momento de recibir su equipo, verifique el empaque en búsqueda de daños que pudieran haber ocurrido durante el transporte del mismo. Inspeccione de manera visual el exterior del empaque, si el mismo se encuentra dañado, abra e inspeccione, delante de la empresa transportadora, todo el equipo. Cualquier daño debe ser anotado y reportado en el recibo de entrega de la empresa transportadora.

**IMPORTANTE:** Una vez que se haya retirado todo el material del empaque, revise por la parte posterior del equipo el compartimiento del compresor. Inspeccione visualmente el sistema de refrigeración y asegúrese que las tuberías no estén dobladas y que no presenten alguna fisura, asegúrese que la base esté intacta.

Si al momento de abrir el empaque existe un daño oculto en el equipo, notifíquelo de inmediato a la empresa transportadora mediante un llamado telefónico así como también de manera escrita. Solicite una inspección por parte de la compañía transportadora si el equipo está dañado. Conserve todo el material de embalaje hasta que se haya realizado la inspección, contacte al proveedor con el que adquirió su equipo.

## 2.3 Uso y restricciones

EL equipo no está diseñado para fines personales, familiares o del hogar, y su venta para esos fines no está prevista. En el caso de que el equipo se utiliza con tal fin, esta garantía será nula de pleno derecho, y el equipo se considerará que se han vendido "como es, donde es" sin garantía de ningún tipo, incluyendo, sin limitación, cualquier garantía de título, no infracción, los comerciantes la capacidad o aptitud para un propósito en particular.

Los equipos cumplen con los estándares de las normas UL y NSF-7

Si usted quiere saber más acerca de otras restricciones relacionadas con el equipo vea la garantía.

## 2.4 Placa de identificación del Fabricante

La placa de datos se encuentra dentro del gabinete, cerca de la parte superior delantera, a la izquierda. Bajo ninguna circunstancia debe quitar la placa de datos de la unidad. La placa de datos es esencial para identificar las características particulares de su máquina y es de gran beneficio para los instaladores, operadores y personal de mantenimiento. Se recomienda que, en caso de que se retira la placa de datos, copie la información esencial en este manual para referencia antes de la instalación.

Remoción de la placa de datos anulará la garantía.

The image shows a manufacturer identification plate for a refrigerator. The plate contains the following information:

- Serial Number: 19032041
- Model: ABBC 58 G
- SN: 8101678173
- Year: 2019
- Electrical Characteristics: 115V 50/60Hz, 1P, 6.5A
- Refrigerant: R-134a
- Net Weight: 1430 lbs/kg
- Refrigerant Capacity: 2345/690 BTU/hr/W
- Climate Class: N
- Temperature Range: -2°C / 5°C
- Compressor: 1/3 HP
- Design Pressures: 132/9 PSI/BAR (low side), 300/20 PSI/BAR (high side)
- Condenser Type: VENT
- Blowing Agent: ECO
- Defrost Type: 0.0
- Lamp Power: 5.0 W

Callouts point to the following fields:

- Modelo: MOD ABBC 58 G
- Características Eléctricas: 115V 50/60Hz 1P 6.5A
- Tipo de Refrigerante: R-134a
- Número de serie (10 dígitos): 8101678173
- Código: 19032041



---

## 2.5 Instalación y Ensamble

Las unidades presentadas en este manual están diseñadas para uso interior solamente. Asegúrese de que la ubicación elegida tiene un piso lo suficientemente fuerte para soportar el peso total de la unidad y contenidos. Para la operación más eficiente, asegúrese de proveer buena circulación de aire dentro y fuera de la unidad.

### Dentro del gabinete:

La primera limpieza debe hacerse cuando Desempaque el aparato y antes de encenderlo. Limpie con agua y un detergente suave. Cuando esté limpio y seco, inserte los accesorios en los lugares apropiados, para el mejor aprovechamiento del usuario.

### Fuera del gabinete:

Asegúrese que la unidad tenga buena circulación de aire alrededor de él. Evite rincones calientes y lugares cerca de estufas y hornos. Se recomienda instalar la unidad a no menos de 2 " de cualquier pared. El lugar donde se coloca el refrigerador debe estar ventilado y limpio, evitando que el ventilador de la unidad condensadora absorba materiales que luego se depositan en las láminas del condensador y bobina, que puede producir fallas.

La unidad no debe ser instalada bajo temperaturas ambientales superiores a 100 ° F.

Si la humedad relativa es superior al 60%, los marcos de las puertas pueden sudar agua. Esto no es un mal funcionamiento de la unidad.

## 2.6 Conexiones

Tome en cuenta los datos sobre el amperaje y voltaje que aparecen en la placa matricula del equipo.

Es indispensable que la instalación eléctrica del usuario cumpla con los requerimientos y normatividades eléctricas nacionales y locales correspondientes al lugar donde se instalara el aparato.

El equipo debe ser instalado en un circuito protegido por sobrecargas y/o cortos circuitos así como por variaciones de voltaje.

**IMPORTANTE:** El contacto o enchufe debe tener conductor de tierra física obligatoriamente.

La unidad debe ser conectada a tierra y conectado según normativas electricas nacionales y locales vigentes.

# OPERACIÓN

## 3.1 Información General

La buena circulación de aire dentro del gabinete es crítico. No obstruya el flujo de aire de los ventiladores. Coloque el equipo a no menos de 2 pulgadas ( 2”) de espacio a lo largo del frente, parte posterior y los lados como separación para una ventilacion adecuada.

## 3.2 Descripción del panel de control

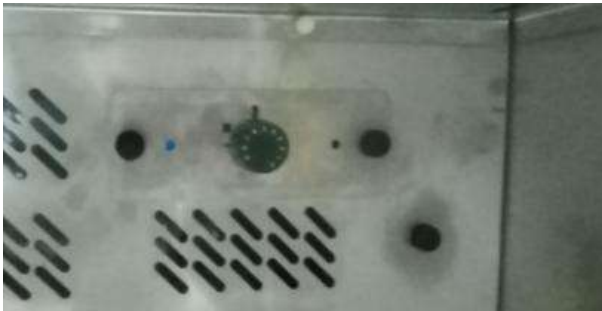
### 3.2.1 Termostato analógico

#### MODELOS DE REFRIGERACIÓN

Antes de conectar la unidad a la corriente eléctrica, verifique que el termostato no está en la posición OFF (la posición del termostato debe ser distinta de cero). Si el termostato está en la posición OFF, el compresor no funcionará. Tenga en cuenta, las luces indicadoras del ventilador, evaporador tendran corriente mientras el termostato esté en la posición OFF.

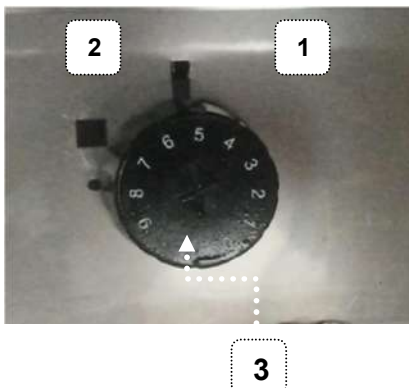
La perilla del termostato es el controlador de temperatura. Este se encuentra dentro del gabinete. Por favor asegúrese que la perilla del termostato está apuntando a la flecha amarilla (Figura 3). Esta posición es recomendada por la fábrica para asegurar el funcionamiento correcto del equipo (véase la figura #1).

FIGURE 1



El termostato se encuentra dentro de la unidad en el lado derecho

FIGURE 2



1. Para un mejor desempeño la perilla debe estar apuntando la marca. La posición de fábrica es el # 5
2. Coloque le termostato en cero, el compresor no funcionara.
3. Perilla para ajustar configuración de termostato
4. Perilla en posición #1, para la temperatura más cálida, y perilla en posición #9 para la temperatura más fría

**Nota:**

Tenga en cuenta, si cambia a una posición diferente el valor del termostado al que recomendamos desde fábrica, los parametros de temperatura cambiaran. La posicion de Fabrica es en el # 5

La posición de la perrilla cerca del número uno, le da temperatura mas calida y la posición de la perilla cerca del número nueve, da temperatura más fría.

**3.2.2 Control electrónico**

MODELOS DE CONGELACIÓN y Algunas mesas de Refrigeración

Después de conectar su unidad, active el interruptor situado en el controlador. La pantalla se encenderá mostrando la temperatura dentro de la unidad. Además, los iconos del compresor y del ventilador destellarán durante un período de tres minutos. Después de este retraso, la unidad comenzará de enfriamiento.



## 3.3 Configuraciones del Equipo

### 3.3.1 Configuraciones.

#### Cambiando el Set Point (ajuste de temperatura)

El controlador tiene un SET POINT de temperatura programado de fábrica para garantizar el correcto funcionamiento del equipo. Si usted lo desea, puede cambiar el SET POINT de temperatura. Para ello, siga los pasos:

1. Pulse el botón de SET durante 2 segundos hasta ver “uln” en la pantalla y suelte, presione de nuevo SET para ver un número parpadeando, suelte el botón, el número parpadeando es el valor del SET POINT de temperatura.



2. Si deseas aumentar el valor del SET POINT para una nueva temperatura, presione el botón de flecha hacia arriba. Pulse este botón para alcanzar el valor deseado, suelte el botón y luego presione el botón de SET para guardar el nuevo valor.

#### Nota:

El valor máximo que el control puede mostrar es en refrigeradores: 3.3°C (38°F) y -16°C (3°F) para congeladores

El valor mínimo que el control puede mostrar es en refrigeradores: 0°C (32°F) y -23°C (-9°F) para congeladores

#### **Deshielo Manual**

Para seleccionar el deshielo manual, mantener presionado el botón de flecha hacia arriba por 5 segundos. El icono del deshielo parpadeará y se mostrará en la pantalla. Cuando el icono deje de parpadear, el equipo estará en modo de deshielo.



Para salir del modo deshielo, mantener presionado por 5 segundos el botón de la flecha hacia arriba, el icono de deshielo se apagará. Esperar 2 minutos para que el compresor comience a funcionar.

**SI NECESITA MÁS INFORMACIÓN, PÓNGASE EN CONTACTO CON EL SOPORTE TÉCNICO.**

---

## **MANTENIMIENTO**

### **4.1 Reglas de seguridad general**

Cualquier negligencia con los procedimientos de limpieza del compresor puede anular la garantía y generar un costo del reemplazo del compresor.

Para la limpieza del acero inoxidable use paños suaves o esponjas. Nunca usar esponjas metálicas, cepillos de alambre o algún tipo de lija.

### **4.2 Rutina de limpieza y mantenimiento del equipo**

La limpieza debe ser a base de limpiadores alcalinos o libres de cloro. Cualquier limpiador que contenga cloruros dañará la película protectora del acero inoxidable. Los cloruros son también comúnmente encontrados en agua dura, sales y productos de limpieza domésticos e industriales. Si se utilizan limpiadores que contengan cloruros asegúrese de enjuagar varias veces la superficie y seque bien al finalizar. La limpieza de rutina del acero inoxidable puede hacerse con agua y jabón. Las manchas o la grasa extremas deben limpiarse con un paño no abrasivo. También hay limpiadores de acero inoxidable disponibles que se pueden restaurar y conservar el acabado de la capa protectora de los aceros.

Nunca use una solución de limpieza a base de ácido. Muchos productos alimenticios tienen un contenido ácido que puede deteriorar el acabado. Asegúrese de limpiar todos los productos alimenticios de cualquier superficie de acero inoxidable.

#### **4.2.1 Limpiando el condensador**

Desconecte la máquina. Quite el panel delantero inferior y cuidadosamente deslice hacia afuera la unidad condensadora.

La bobina del condensador requiere una limpieza regular; recomendado cada 30 a 60 días, dependiendo de la acumulación de polvo y grasa. Si la acumulación en la bobina consiste de sólo de polvo ligero y residuos la bobina del condensador puede limpiarse con un simple cepillo. Mayor acumulación de polvo puede requerir un vacío o incluso aire comprimido para soplar a través del serpentín del condensador. Si hay grasa pesada hay agentes desengrasantes disponibles para el uso en refrigeración y específicamente para los serpentines del condensador. La bobina del condensador puede requerir un rocío con el agente desengrasante y luego soplar con aire comprimido.

Asegúrese de que todas las partes mecánicas y eléctricas estén secas antes de conectar la alimentación.

Nunca usar agua a presión para este procedimiento de limpieza, el agua puede dañar los componentes eléctricos ubicados cerca o en el serpentín del condensador. No coloque material de filtro delante de la bobina del condensador. ¡Este material bloquea el flujo de aire a la bobina similar a tener una bobina sucia!

Si mantiene limpio el condensador minimizará sus gastos de servicio y reducirá sus costos de electricidad. No mantener un serpentín del condensador limpio inicialmente puede causar altas temperaturas y excesivos ciclos de operación. La operación continua con serpentines del condensador sucio u obstruido puede ocasionar fallas del compresor.

Para devolver la unidad condensadora en su lugar, deslice la unidad con cuidado. **ASEGÚRESE DE QUE EL TUBO DE DESAGÜE ESTÁ SITUADO SOBRE LA BANDEJA.** Coloque nuevamente el panel delantero inferior.

---

#### **4.2.2 Limpieza del empaque plástico**

El empaque requiere una limpieza regular para evitar la acumulación de moho y hongos para mantener la elasticidad del mismo. La limpieza puede realizarse con el uso de agua caliente y jabón. Evitar productos de limpieza ya que esto puede causar que se tornen quebradizos e impedir el sellado adecuado. Además, nunca utilice herramientas o cuchillos para raspar o limpiar el empaque, posiblemente podrían romper el empaque y rasgar el fuelle.

Los empaques pueden ser reemplazados fácilmente y no requieren el uso de herramientas o personas autorizadas de servicio.

#### **4.2.3 Drenado**

Cada unidad tiene un drenado ubicado dentro de la unidad que elimina la condensación de la bobina del evaporador y lo evapora en una bandeja externa del evaporador. Cada drenaje puede ser removido o desconectado al mover o golpear el drenaje.

Si percibe excesiva acumulación de agua en el interior de la unidad asegúrese de que está conectado el tubo de desagüe del evaporador a la bandeja de drenaje de condensado del evaporador.

La nivelación de la unidad es importante, ya que las unidades están diseñadas para drenar adecuadamente cuando se encuentra sobre una superficie nivelada, si el piso no está nivelado esto también puede causar problemas de drenaje. Asegúrese de que todas las líneas de desagüe estén libres de obstrucciones.

### **4.3 Disposición del equipo**

El ciclo de vida promedio de los productos es de 7 a 10 años apartir de la fecha uso e instalcion.

Los equipos son fabricados sin materiales toxicos o peligrorosos. Algunas partes son biodegradables.

La disposicion final del equipo despues del termino del ciclo de vida sera definido por el cliente de acuerdo a las reglas, y leyes establecidas en la ciudad y/o estado de residencia.

RECUERDE CUIDAR EL MEDIO AMBIENTE.

---

# SOLUCIONANDO PROBLEMAS

## 5.1 Solucionando problemas

Algunas veces, las fallas son debido a causas simples que pueden ser solucionadas por el usuario. Antes de pedir ayuda a un técnico calificado, debe hacer algunas verificaciones. Estas fallas no están cubiertas por la garantía:

1) El refrigerador no funciona:

- a. Verifique que la maquina esté conectada de forma correcta y que exista el voltaje correcto para el equipo.
- b. Verifique que el "Botón Encendido/Apagado" este en la posición de "Encendido".

2) El refrigerador no da la temperatura adecuada:

- a. Verifique que el equipo no está en el ciclo de deshielo.
- b. Verifique que la temperatura no esté en °F.
- c. Verifique que el control no marque alguna alarma.
- d. Verifique que el SET POINT de temperatura es el correcto.
- e. Verifique que no existe obstrucción al flujo del aire en el interior del equipo.
- f. Verifique que el ventilador o los ventiladores funcionan correctamente. Abra la puerta presione el interruptor (micro-switch) de la puerta para verificarlo.
- g. Verifique que no haya hielo en el evaporador.
- h. Asegúrese que el condensador este limpio y que no haya objetos que obstruyan el paso de aire por las tuberías del condensador.
- i. Verifique que el ventilador del condensador funciona.

3) Hay agua dentro del equipo:

- a. Asegúrese que el panel de drenaje que se encuentra en el interior del gabinete esté en su posición correcta.
- b. Verifique que no haya alimento obstruyendo la línea del drenaje.

4) Hay agua debajo del equipo:

- a. Verifique que el tubo de drenaje esté dentro de la bandeja de evaporación.
- b. Verifique que el gabinete este nivelado.