



## DESPIECE TECNICO TECHNICAL PARTS

LAVAVAJILLAS DE CAPOTA  
HOOD TYPE DISHWASHERS

### MODELOS / MODELS

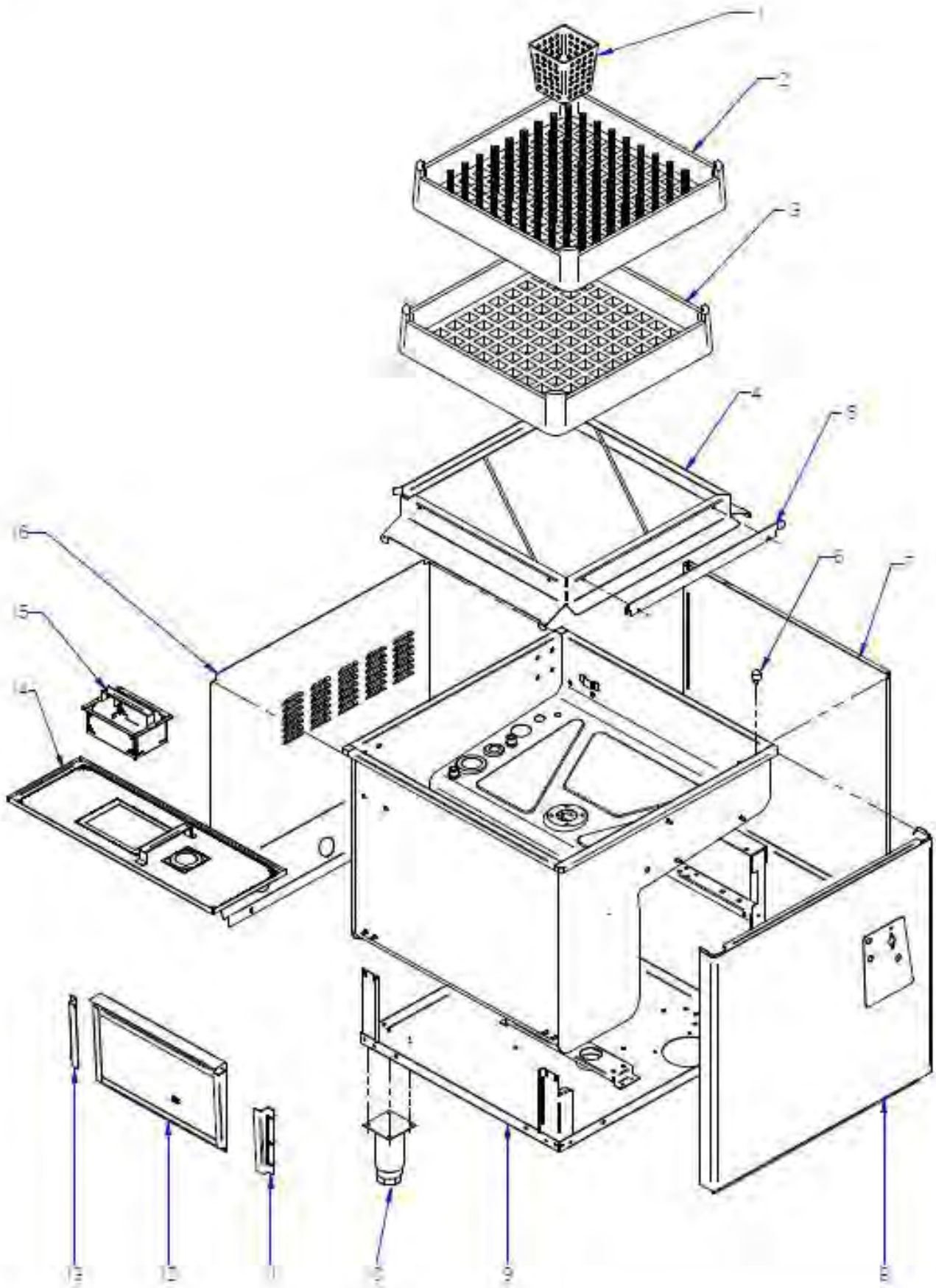
GEM-H500 SA


GEM-H500 DD SA

50Hz/60Hz

**Vers.** February 2018  
**Revised** February 2019

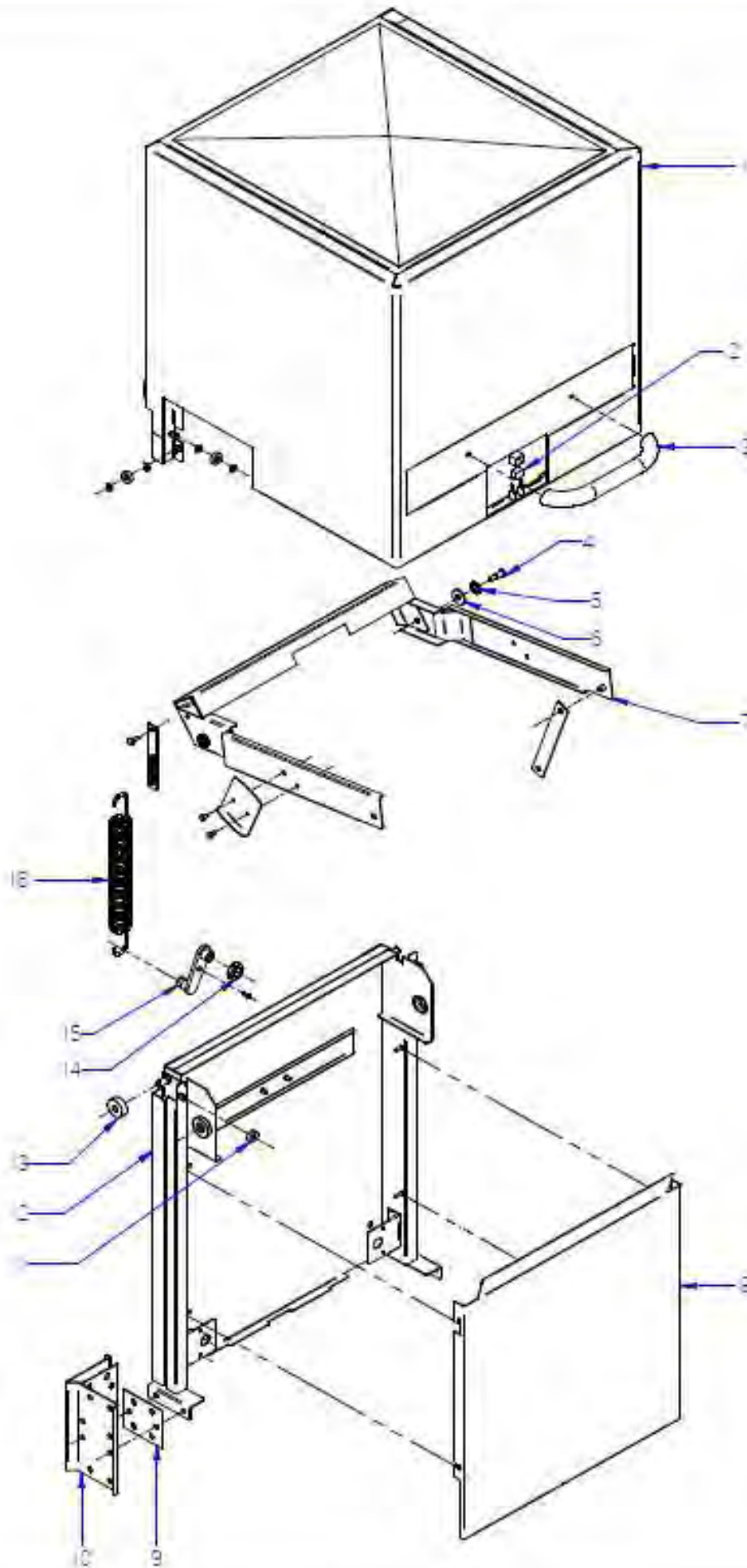





Model	Version	Date	Drawn	Approved	Page	
HT-001	Aitor.U	2018-03			1	

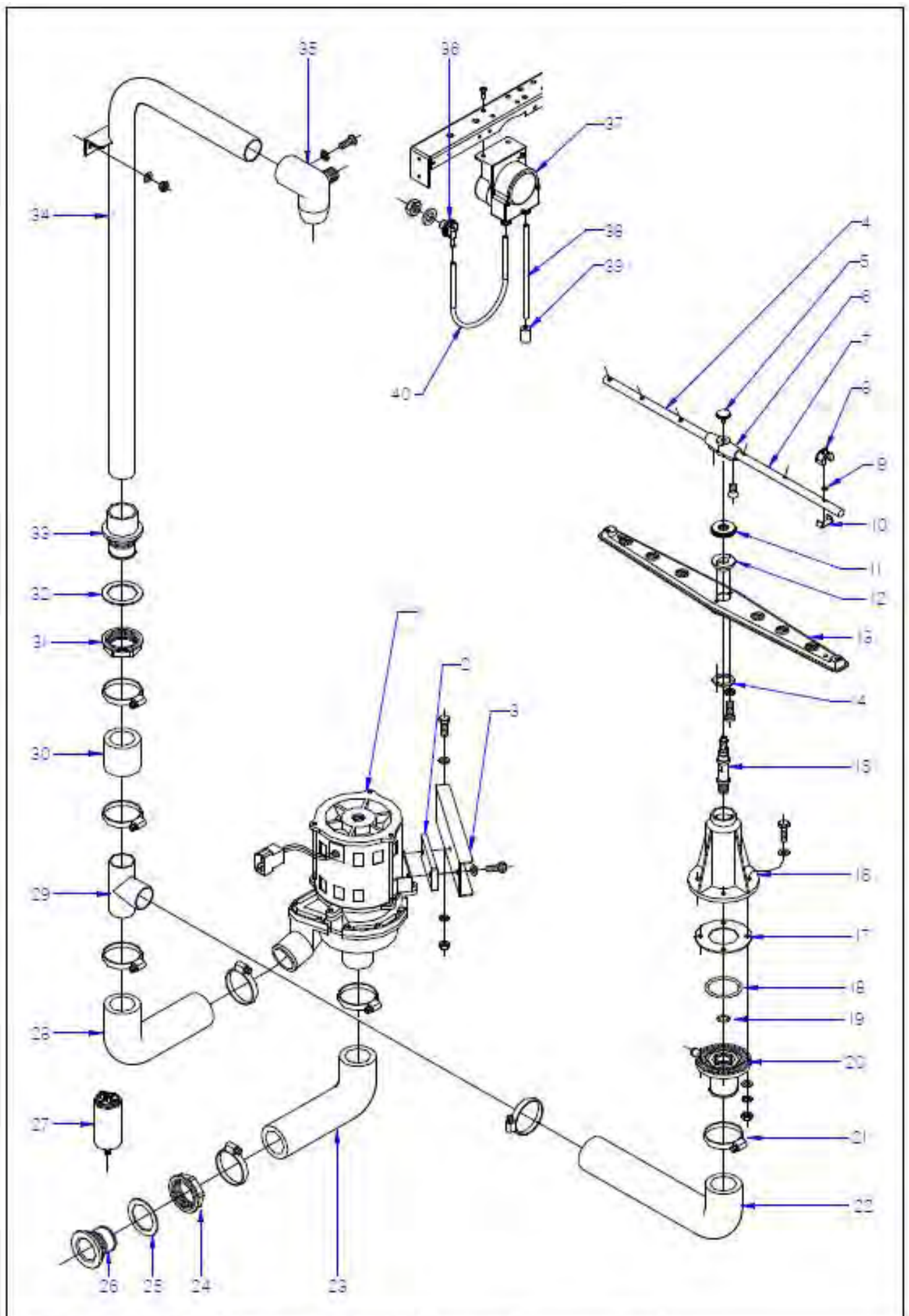
HOOD TYPE DISHWASHER






Model	Part No.	Rev.	Part Name	Page	Logo
HT-002	Aitor.U	2018-03	HOOD TYPE DISHWASHER	1	asber 



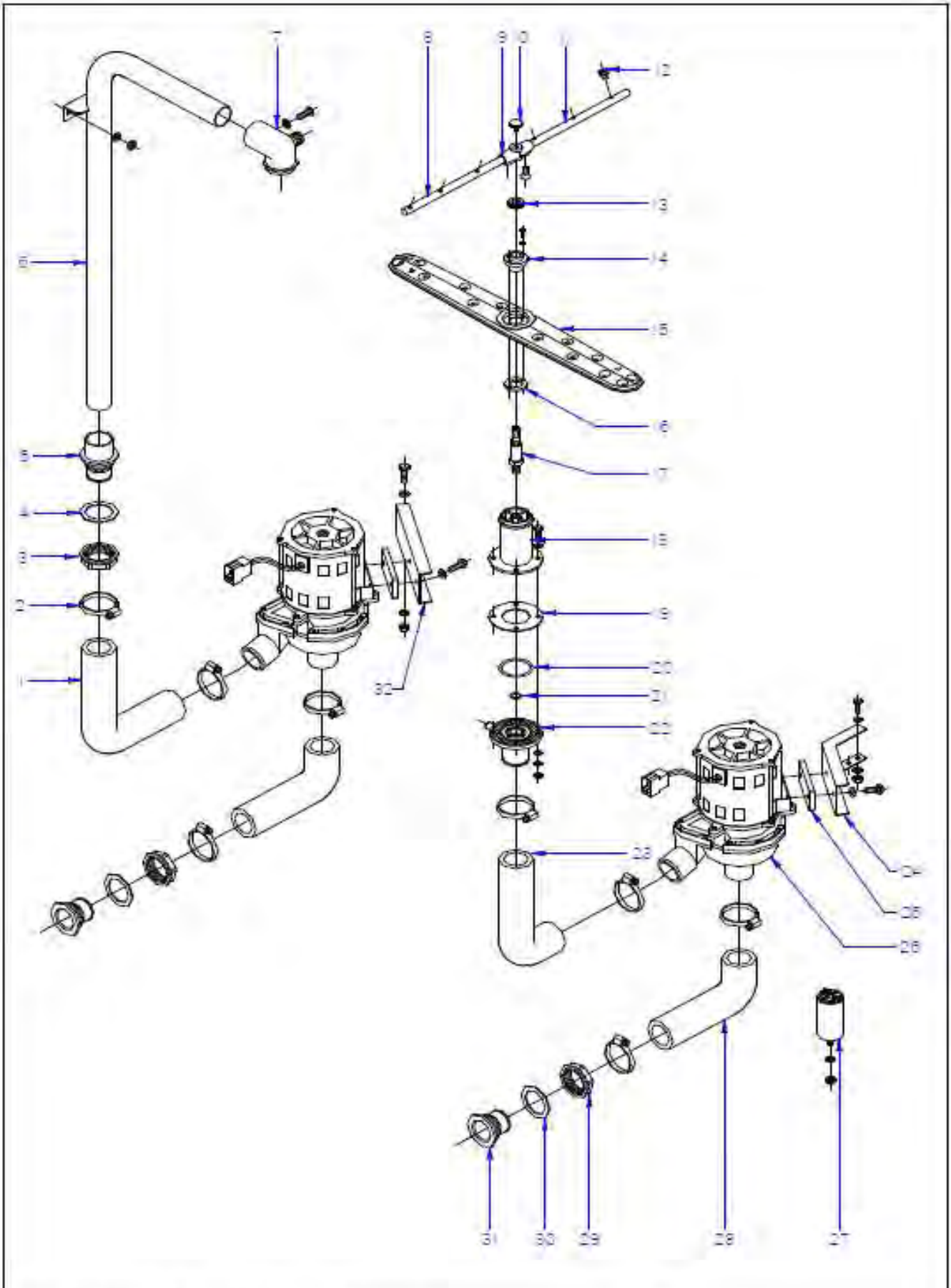


Drawing	Signature	Date	Diseno	Parte funcional de lavado / Washing functional part	Sheet	
HT-003	Aitor.U	2018-03		HOOD TYPE DISHWASHER	1	







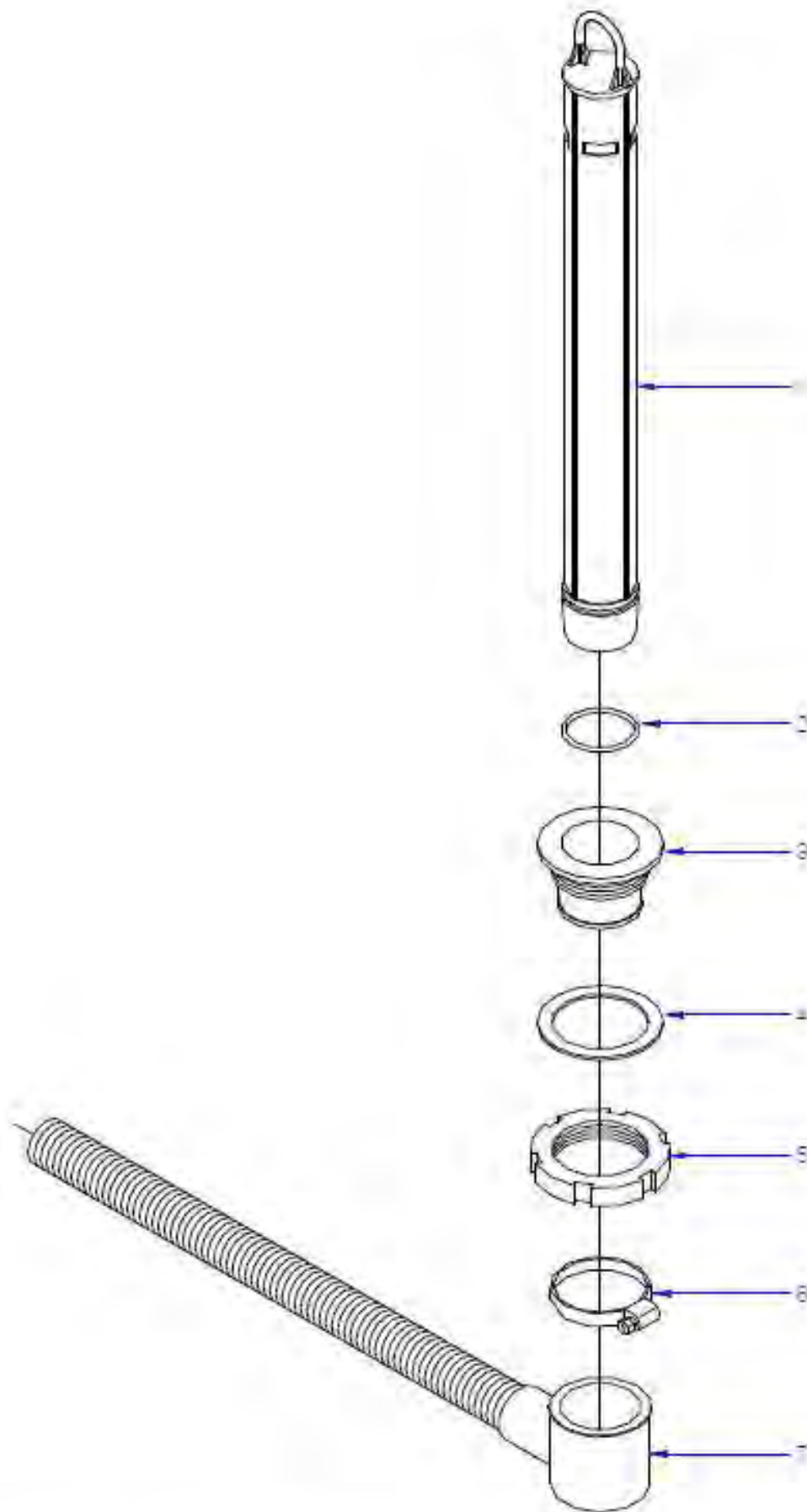


Tracing	Signature	Date	Discode	Water (normal or extra) / High Power / High Power (washing followed part)	Draw	
HT-009	Aitor.U	2018-03			1	



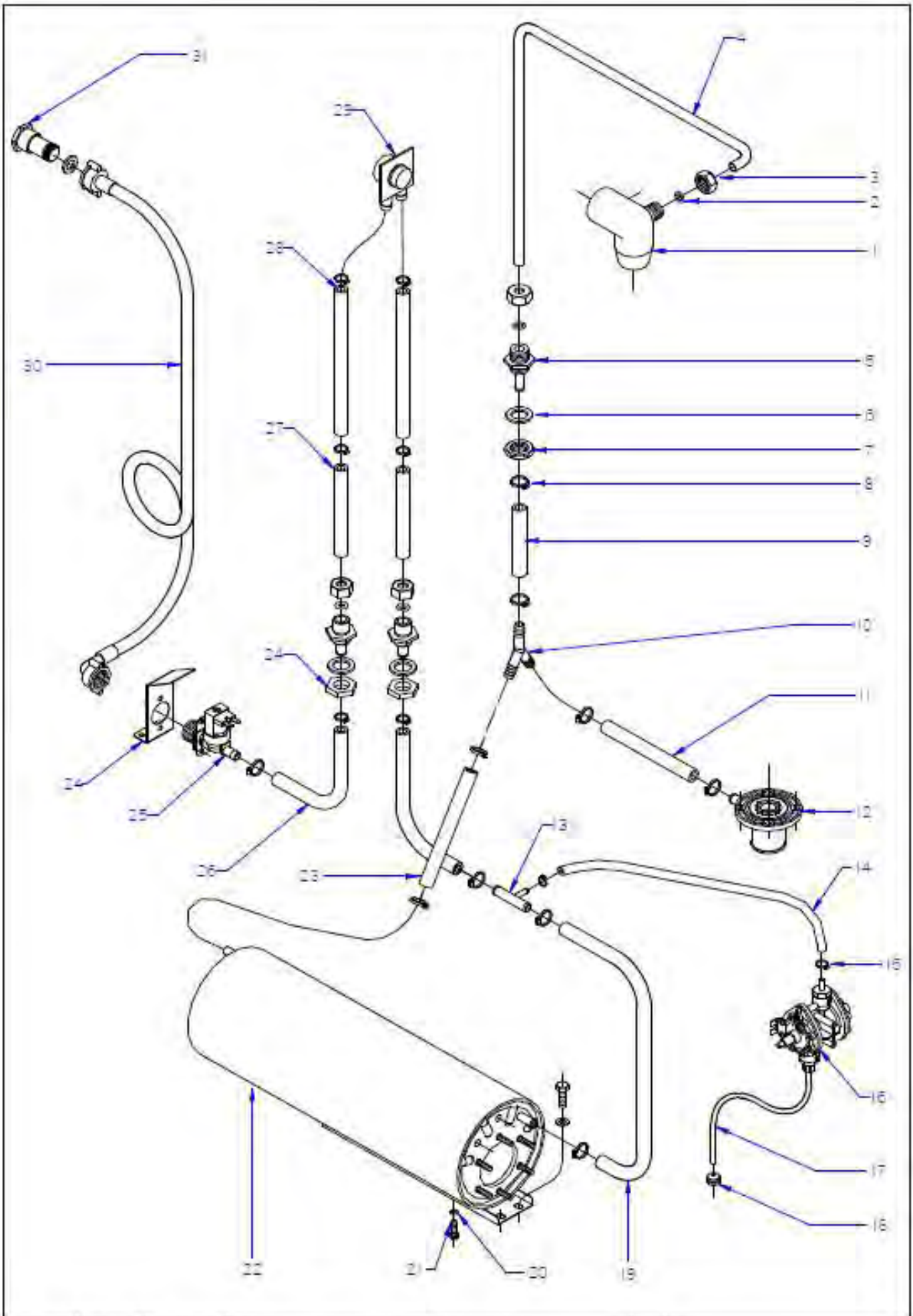
ZONA / ZONE	PARTE FUNCIONAL LAVADO / WASH FUNCTIONAL PART	LÁMINA / DRAWING	HT_003
-------------	---	------------------	--------

ITEM	REFERENCIA REFERENCE	DENOMINACIÓN	DENOMINATION													RECOMMENDED	ELIMINADO ELIMINATED	INTRODUCIDO INTRODUCED	NOTAS NOTES
				GEM-H510 SA	GEM-H510 DD SA														
25	12023556	BASE BOMBA LAVADO	WASH PUMP BASE	2	2														
26	12043287	BOMBA DE LAVADO <u>50 Hz</u>	WASH PUMP <u>50 Hz</u>	2	2									X					
26	12024270	BOMBA DE LAVADO <u>60 Hz</u>	WASH PUMP <u>60 Hz</u>	2	2									X					
27	12024376	CONDENSADOR 10 M,F,	CONDENSER 10 M,F,	2	2														
28	12023625	CONDUCTO ASPIRACION	EXTRACTOR PIPE	2	2														
29	12023537	TUERCA PASAMUROS	WALL BUSHING NUT	2	2														
30	12009960	ARANDELA 60x44x2	WASHER 60x44x2	2	2														
31	12025261	PASAMUROS ASPIRACION	EXTRACTOR BUSHING	2	2														
32	12022471	SOPORTE MOTOBOMBA POSTER.	REAR MOTOR PUMP SUPPORT	1	1														
33	12024531	PASAMUROS DETERGENTE INOX	DETERGENT WALL BUSHING	1	1														
34	12133011	DOSIFIC. DGTE REGULABLE	DETERGENT DISPENSER	-	1									X					
35	12024139	CONDUCTO ASPIRACIÓN TRANS.	TRANSPARENT ASPIRATION HOSE	-	1														
36	12024353	PESO FILTRO	FILTER WEIGHT	-	1														
37	12177300	CONDUCTO DOSIFICAFOR 6X4	DOSEFOR CONDUIT 6X4	-	1														



Drawing HT-004	Signature Aitor.U	Date 2018-03	Design 3D model of design / Design functional part	Page 1	
-------------------	----------------------	-----------------	---	-----------	--





Drawing HT-006	Signature Aitor.U	Date 2018-03	Device Hood type dishwasher	Part functional assembly / Rising functional part HOOD TYPE DISHWASHER	Sheet 1	
-------------------	----------------------	-----------------	--------------------------------	---	------------	--

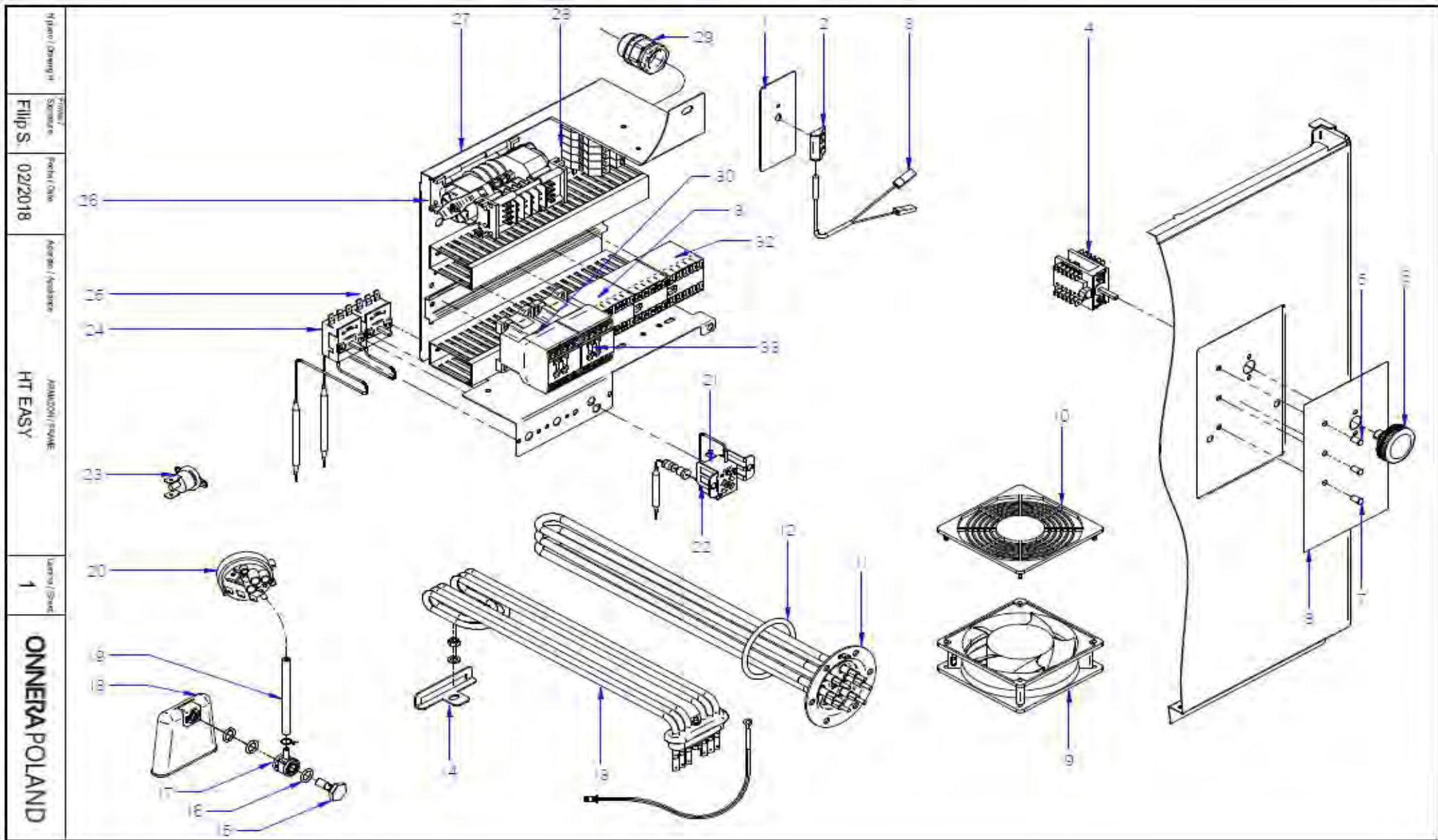
ZONA / ZONE	PARTE FUNCIONAL ACLARADO / RINSING FUNCTIONAL PART
-------------	--

LÁMINA / DRAWING	HT_006
------------------	--------

ITEM	REFERENCIA REFERENCE	DENOMINACIÓN	DENOMINATION	G-OEM-H500	G-OEM-H500 DD	GEM-H510 SA	GEM-H510 DD SA													RECOMMENDED	ELIMINADO ELIMINATED	INTRODUCIDO INTRODUCED	NOTAS NOTES
1	12024927	SOPORTE DISTRIBUIDOR SUPER.	UPPER DISTRIBUTION SUPPORT	1	1	1	1																
2	12010256	JUNTA TORICA Ø9.12X16.18X3.53	O-RING Ø9.12X16.18X3.53	4	4	4	4																
3	12009819	TUERCA M.20x2.5	NUT M.20X2.5	4	4	4	4																
4	12025059	CONDUCCION	CONDUCTION	1	1	1	1																
5	12024395	PASAMUROS ACLARADO	RINSE BUSHING	3	3	3	3																
6	12009947	JUNTA Ø 32X21X3	SEAL Ø 32X21X3	3	3	3	3																
7	12007871	TUERCA EXAGONAL 5-8 LATON	HEX NUT 5-8 BRASS	3	3	3	3																
8	12041731	ABRAZADERA 12-20	CLAMP 12-20	16	16	16	16																
9	12155765	CONDUCTO Y - PASAMUROS INF.	Y FITTING - LOWER FEED. HOSE	1	1	1	1																
10	12023511	RACORD EN Y	Y SHAPE FITTING	1	1	1	1																
11	12155781	CONDUCTO Y - PASAMUROS CUBA	Y - TANK FEEDTRHOUGH HOSE	1	1	1	1																
12	12024312	PASAMUROS CUBA INFERIOR	TANK LOWER FEEDTHROUGH	1	1	1	1																
13	12025288	RACORD EN T	T SHAPE FITTING	1	1	1	1																
14	12153565	CONDUCTO SALIDA ACLARADO	RINSE OUTLET HOSE	1	1	1	1																
15	12010047	ABRAZADERA 8-14L	CLAMP 8-14L	2	2	2	2																
16	12133010	DOSIFICADOR_ABRILLANTADOR	RINSE AID DISPENSER	1	1	1	1																
17	12092499	CONDUCTO ABRILL. AZUL	BLUE RINSE PIPE	1	1	1	1																
18	12024353	PESO FILTRO	FILTER WEIGHT	1	1	1	1																
19	12155779	CONDUCTO RACORD T - CALDERIN	T FITTING -BOILER HOSE	1	1	1	1																
20	12010030	TORNILLO HEX. M10x20 SS DIN933	HEX. SCREW M10x20 SS DIN933	1	1	1	1																
21	12010256	JUNTA TORICA Ø9.12X16.18X3.53	O-RING Ø9.12X16.18X3.53	1	1	1	1																
22	12022943	CALDERIN COMPLETO	COMPLETE DRUM	1	1	1	1																
23	12155780	CONDUCTO RACORD Y - CALDERIN	BOILER - Y FITTING HOSE	1	1	1	1																
24	12022229	ESCUADRA AMARRE ELECTROVA	SOLENOID VALVE BRACKET	1	1	1	1																
25	12025161	ELECTR. SIMP.220V COD.255.208	SOLENOID VALVE SIMP.220V COD.2	1	1	1	1																
26	12155775	CONDUCTO EV. - PASAMUROS	EV-TANK FEED. HOSE	1	1	1	1																
27	12022406	TUBO EMPALME	CONNECTION PIPE	1	1	1	1																
28	12155777	CONDUCTO PASAMUROS-ANTI.RET	FEED.-NON RETURN HOSE	2	2	2	2																
29	12024568	VALVULA ANTI-RETORNO	NON RETURN VALVE	1	1	1	1																







ZONA / ZONE	PARTE FUNCIONAL ELECTRICA EASY / EASY ELECTRIC FUNCTIONAL PART	LÁMINA / DRAWING	HT_008
-------------	--	------------------	--------

ITEM	REFERENCIA REFERENCE	DENOMINACIÓN	DENOMINATION	G-OEM-H500	G-OEM-H500 DD	GEM-H510 SA	GEM-H510 DD SA											RECOMMENDED	ELIMINADO ELIMINATED	INTRODUCIDO INTRODUCED	NOTAS NOTES
1	12022312	APOYO INTERRUPTOR	SWITCH MAGNET SUPPORT	1	1	1	1														
2	12024066	AMARRE INTERRUPTOR MAGNET.	MAGNETIC SWITCH HOLDER	1	1	1	1														
3	12024477	INTERRUPTOR MAGNETICO	MAGNETIC SWITCH	1	1	1	1														
4	12023965	CONMUTADOR G-OEMH500	SWITCH G-OEMH500	1	1	-	-														
4	12024932	CONMUTADOR G-OEMH500	SWITCH G-OEMH500	-	-	1	1										X				
S/Nº	12023521	CASQUILLO CONMUTADOR	SWITCH SPACER	2	2	2	2										X				
5	12169231	PILOTO LED VERDE	GREEN LED LIGHT	2	2	2	2														
6	12170491	BOTON DE MANDO G-OEM-H500	G-OEM-H510 KNOB	1	1	-	-														
6	12170492	BOTON DE MANDO G-OEM-H500 B	G-OEM-H500 B KNOB	-	-	-	-														
6	12170493	BOTON DE MANDO G-OEM-H510	G-OEM-H500 KNOB	-	-	1	1														
6	12170494	BOTON DE MANDO G-OEM-H510 B	G-OEM-H510 B KNOB	-	-	-	-														
7	12169230	PILOTO LED AZUL	BLUE LED LIGHT	1	1	1	1														
8	*	EMBELLECEDOR G-OEM H-500	G-OEM H-500 STICKER	1	1	1	1														Check Optionals
9	12025177	PROTECCION VENTILADOR ABS	FAN PROTECTION	1	1	1	1														
10	12059050	VENTILADOR 230V,50/60 HZ	FAN 230V,50/60 HZ	1	1	1	1														
11	12024732	RESISTENCIA CALDERIN 6 Kw	BOILER HEATER 6 kW	1	1	-	-										X				
11	12024146	RESISTENCIA CALDERIN 12 Kw	BOILER HEATER 12 kW	-	-	1	1										X				
12	12010051	JUNTA TORICA RESISTENCIA CALD.	BOILER HEATER O-RING	1	1	1	1														
13	12023778	RESISTENCIA TANQUE 4,5 kW	TANK HEATER 4,5 Kw	1	1	1	1										X				
14	12021914	SOPORTE RESISTENCIA TANQUE	TANK RESISTOR SUPPORT	1	1	1	1														
15	12024222	TORNILLO PRESOSTATO	PRESOSTAT SCREW	1	1	1	1														
16	12009873	JUNTA TOR.16,01x10,77x2,62	O-RING 16.01X10.77X2.62	3	3	3	3														
17	12024157	EMPALME PRESOSTATO	PRESOSTAT HOLDER	1	1	1	1														
18	12024350	CAMARA PRESOSTATO	PRESSURE SWITCH	1	1	1	1														
19	12155774	Conducto Presostato	H-500 Presostat hose	1	1	1	1														
S/Nº	12023707	BRIDA ELASTICA TUBO	ELASTIC PIPE FLANGE	2	2	2	2														
20	12023804	PRESOSTATO SIMPLE 9,50-17mBa	9,50-17mBar SIMPLE PRESOTAT	1	1	1	1										X				
21	12023830	TERM. LIMITADOR CALDERIN	BOOSTER CUT-OUT THERMOSTAT	1	1	1	1														
22	12022151	AMARRE LIMITADOR TECASA	LIMITER FASTENING TECASA	1	1	1	1														
23	12096597	TERMOSTATO SEGURIDAD 110°C	SAFETY THERMOSTAT 110°C	1	1	1	1										X				

ZONA / ZONE	PARTE FUNCIONAL ELECTRICA EASY / EASY ELECTRIC FUNCTIONAL PART	LÁMINA / DRAWING	HT_008
-------------	--	------------------	--------

ITEM	REFERENCIA REFERENCE	DENOMINACIÓN	DENOMINATION	GEM-H500 SA	GEM-H500 DD SA	GEM-H510 SA	GEM-H510 DD SA											RECOMMENDED	ELIMINADO ELIMINATED	INTRODUCIDO INTRODUCED	NOTAS NOTES
24	12134992	TERMOSTATO 27-85°C	THERMOSTAT 27-85°C	1	1	1	1											X			
25	12161299	TERMOSTATO 60°C	THERMOSTAT 60°C	1	1	1	1											X			
26	12024177	PROGRAMADOR G-OEM H500 <b>50Hz</b>	PROGRAMER G-OEM H500 <b>50Hz</b>	1	1	-	-											X			
26	12024179	PROGRAMADOR G-OEM H500 <b>60Hz</b>	PROGRAMER G-OEM H500 <b>60Hz</b>	1	1	-	-											X			
26	12024571	PROGRAMADOR G-OEM H510 <b>50Hz</b>	PROGRAMER G-OEM H500 <b>50Hz</b>	-	-	1	1											X			
26	12017510	PROGRAMADOR G-OEM H510 <b>60Hz</b>	PROGRAMER G-OEM H500 <b>60Hz</b>	-	-	1	1														
27	12022539	CAJA CUADRO ELECTRICO CL	ELECTRIC PANEL H500	1	1	1	1														
28	12025214	BORNA 16	TERMINAL 16	3	3	3	3														
S/Nº	12025191	BORNA PASO WDU16 10204,8	STEP TERMINAL WDU16 10204.8	1	1	1	1														
S/Nº	12023727	BORNA A TIERRA WEIDMULLER	TERMINAL TO EARTH WEIDMULLER	1	1	1	1														
S/Nº	12040923	BORNAS PORTA FUSIBLES 13A 4	13 FUSE HOLDER	2	2	2	2														
S/Nº	12040926	FUSIBLE 0,50A Ø5MM 20X5 UL	FUSE 0,5A Ø5MM 20X5 UL	2	2	2	2														
S/Nº	12025171	TOPE FINAL WEW35 10590.0	BLOCK TERMINTAL	1	1	1	1														
S/Nº	12024743	BORNE TIER 10 WPE10103.O	BORNE TIER 10 WPE-10103.0	1	1	1	1														
S/Nº	12023373	Borna Paso 57A 10mm2 1vía UL	TERMINAL 10 WDU-10203.O	5	5	5	5														
S/Nº	12103361	CONECTOR 57A 10mm2 2vía 10mm	CONECTOR 57A 10mm2 2vía P.10mr	1	1	1	1														
S/Nº	12024199	Tope final borna 10mm2 UL	TERMINAL STOPPER 10mm2 UL	1	1	1	1														
S/Nº	12136706	Condensador 33µF	CONDENSER 33µF	4	4	4	4														
S/Nº	12120634	SEÑALIZACIÓN 1	SIGNAL 1	1	1	1	1														
29	12181609	PASACABLES PG-21	WIRE HOLDER PG-21	1	1	1	1														
S/Nº	12181608	TUERCA PASAMUROS CABLE	FEEDTHROUGH NUT	1	1	1	1											X			
30	12024012	CONTACTOR 3TF20 01-3AL2 230	CONTACTOR 3TF20 01-3AL2 2	1	1	2	2											X			
31	12024011	CONTACTOR 230 V. 50-60 HZ	CONTACTOR 230v	1	1	1	1											X			
32	12111795	Contacto 20A 4via UL	Contacto 20A 4via UL	2	2	2	2												30/06/2020		
32	12024040	Contacto 20A 4via UL	Contacto 20A 4via UL	2	2	2	2											X		30/06/2020	8102056273
33	12125338	CONTACTOR AUXILIAR	CONTACTOR AUXILIAR	-	-	2	2												30/06/2020		
33	12123259	CONTACTOR AUXILIAR	CONTACTOR AUXILIAR	-	-	2	2											X		30/06/2020	8102056273

ZONA / ZONE	VARIOS / MISCELLANEOUS
-------------	------------------------

LÁMINA / DRAWING
------------------

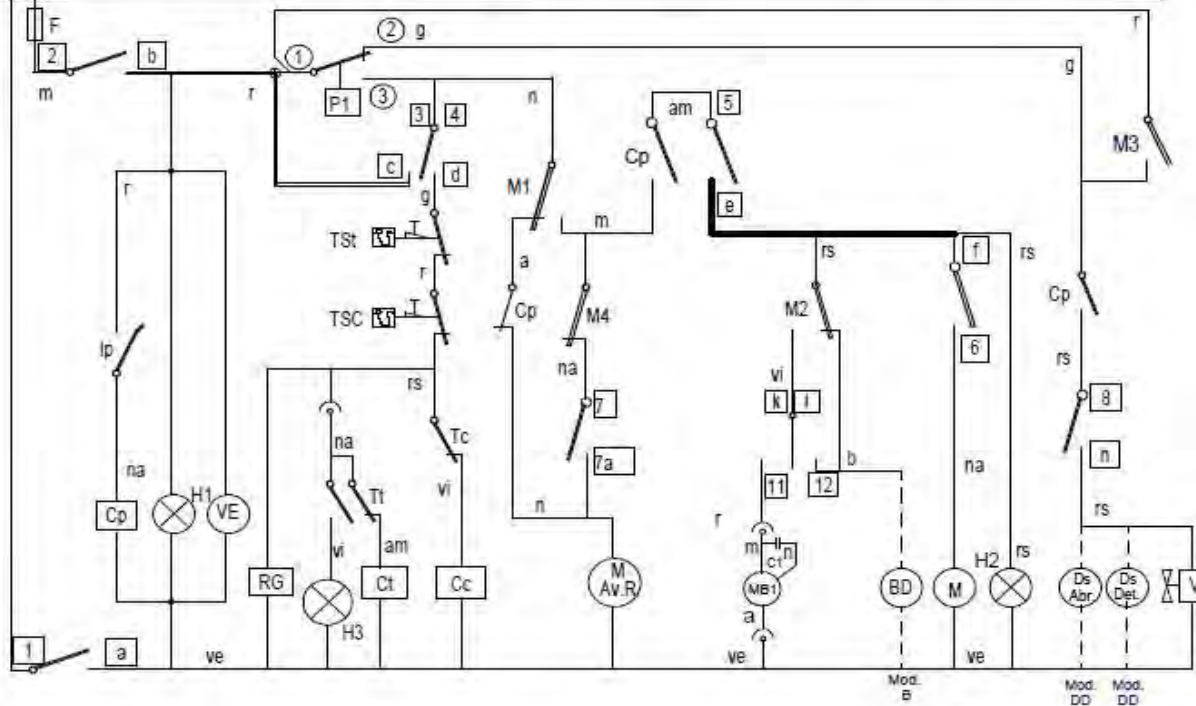
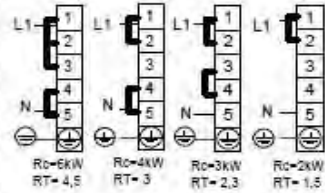
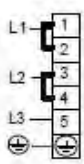
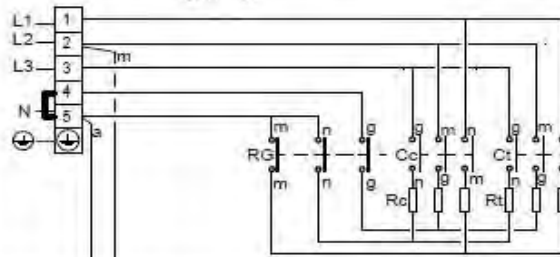
ITEM	REFERENCIA REFERENCE	DENOMINACIÓN	DENOMINATION	G-OEM-H500	G-OEM-H500 DD	G-OEM-H510	G-OEM-H510 DD									RECOMMENDED	ELIMINADO ELIMINATED	INTRODUCIDO INTRODUCED	NOTAS NOTES
	12098847	FOLLETO INSTRUCCIONES EASY	INSTRUCTION LEAFLET EASY	1	1	1	1												
	12129218	ESQUEMA TEORICO H500 B	THEORETICAL DIAGRAM H500 B	1	1	1	1												
	12129214	ESQUEMA TEORICO H510	THEORETICAL DIAGRAM H510	_	_	1	1												
	12129233	PLANO DE MONTAJE H500	ASSEMBLY DRAWING H500	1	1	1	1												
	12129254	PLANO DE MONTAJE H510	ASSEMBLY DRAWING H510	_	_	1	1												
	12009946	CABLE TENSOR	TENSIONER WIRING	1	1	1	1												
	12024651	CABLE 5x2,5mm2	CABLE 5x2,5mm2	1	1	1	1												
	12024183	CABLEADO TIERRAM.BOMBA	EARTH PUMP WIRING	1	1	1	1												
	12128649	CABLEADO EASY H500	WIRING EASY H500	1	1	1	1												
	12136692	CONDENSADOR 33µF	33µF CONDENSER	4	4	4	4												
	12160496	ADAPTADOR PILOTOS LED	LED LIGHT ADAPTER	3	3	3	3												

# GEM-H500 SA / GEM-H500 DD SA

400 V, 3N

230 V 3Ph

230 V, 1 N



P1: 165 / 95mm

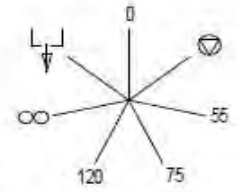
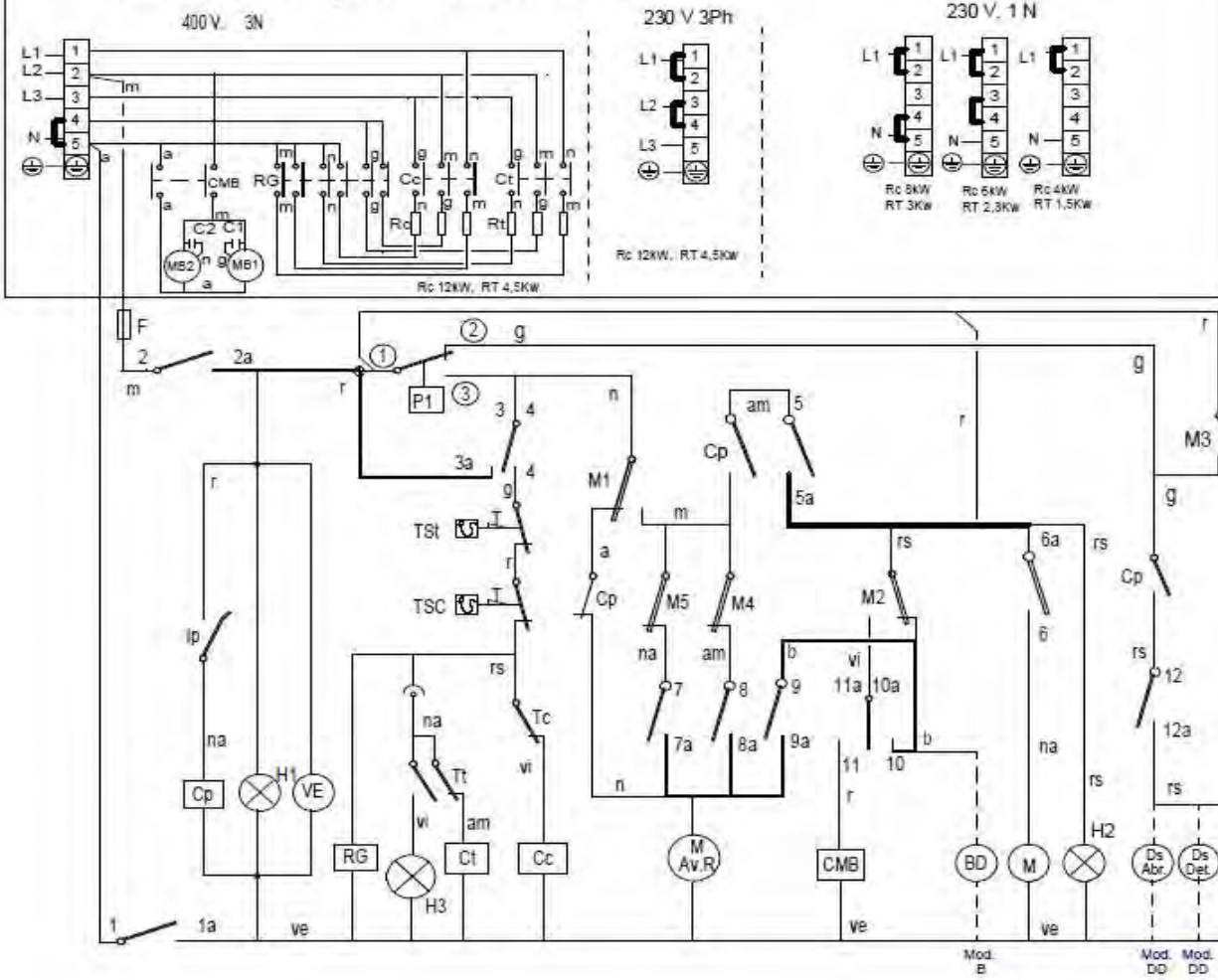
IG	1	2	3	4	5	6	7	8	9	10	11	12
0												
90	X	X		X				X	X			X
120	X	X	X	X	X			X	X			X
180	X	X	X	X	X							X



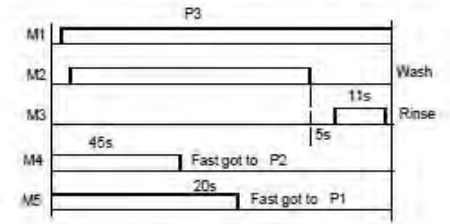
12129218

Esquema teorico Capota Easy H500		12129218		MATERIAL		TREATMENT	
NP	TITLE	QTY	CODE			SHEET FORMAT	A3
GENERAL TOLERANCES		ISO 2768-1		Very Coarse		DESIGN CENTER	ONA
ISO 2768-1		ISO 2768-1		ISO 2768-1		NET STATUS	
ISO 2768-1		ISO 2768-1		ISO 2768-1		DOC STATUS	
ISO 2768-1		ISO 2768-1		ISO 2768-1		ISSUE	1 / 1
ISO 2768-1		ISO 2768-1		ISO 2768-1		SCALE	
LAVAVAJILLAS		DESIGNED BY	VALIDATED BY	DATE			
12129218		M.MAILLO	A.G.	03.09.2015			
PROPOSED BY:		M.MAILLO		ISSUE DATE:			

# GEM-H510 SA / GEM-H510 DD SA

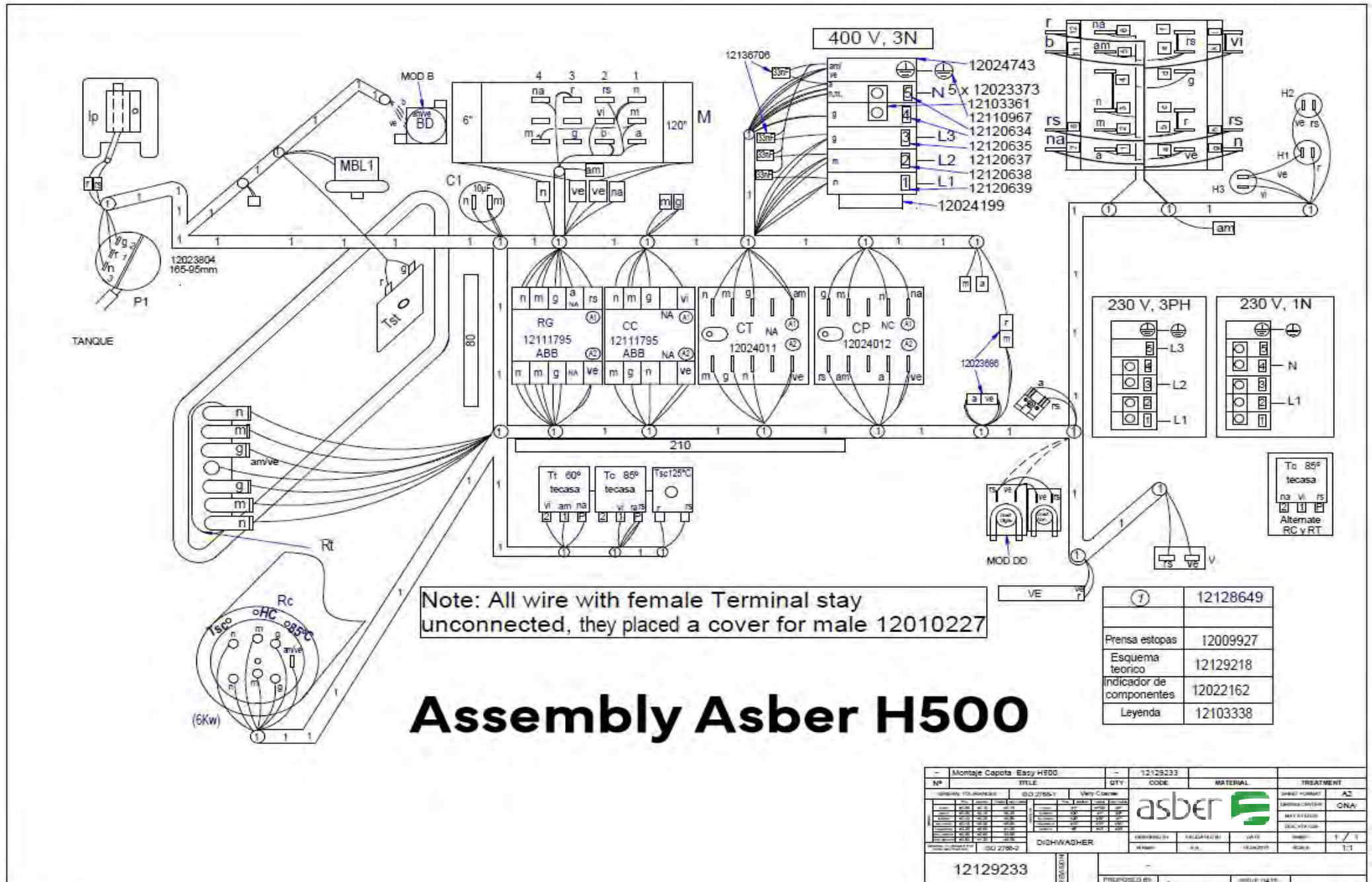


IG	1 1a	2 2a-3a	3 4a	4 5a-6a	5 6	6 7a-8a-9a	7 8	8 9-10	9 10-11a	10 11	11 12	12
0												
⊕	X	X	X	X	X	X	X	X	X	X	X	X
P1	X	X	X	X	X	X	X	X	X	X	X	X
P2	X	X	X	X	X	X	X	X	X	X	X	X
P3	X	X	X	X	X	X	X	X	X	X	X	X
∞	X	X	X	X	X	X	X	X	X	X	X	X
L	X	X	X	X	X	X	X	X	X	X	X	X

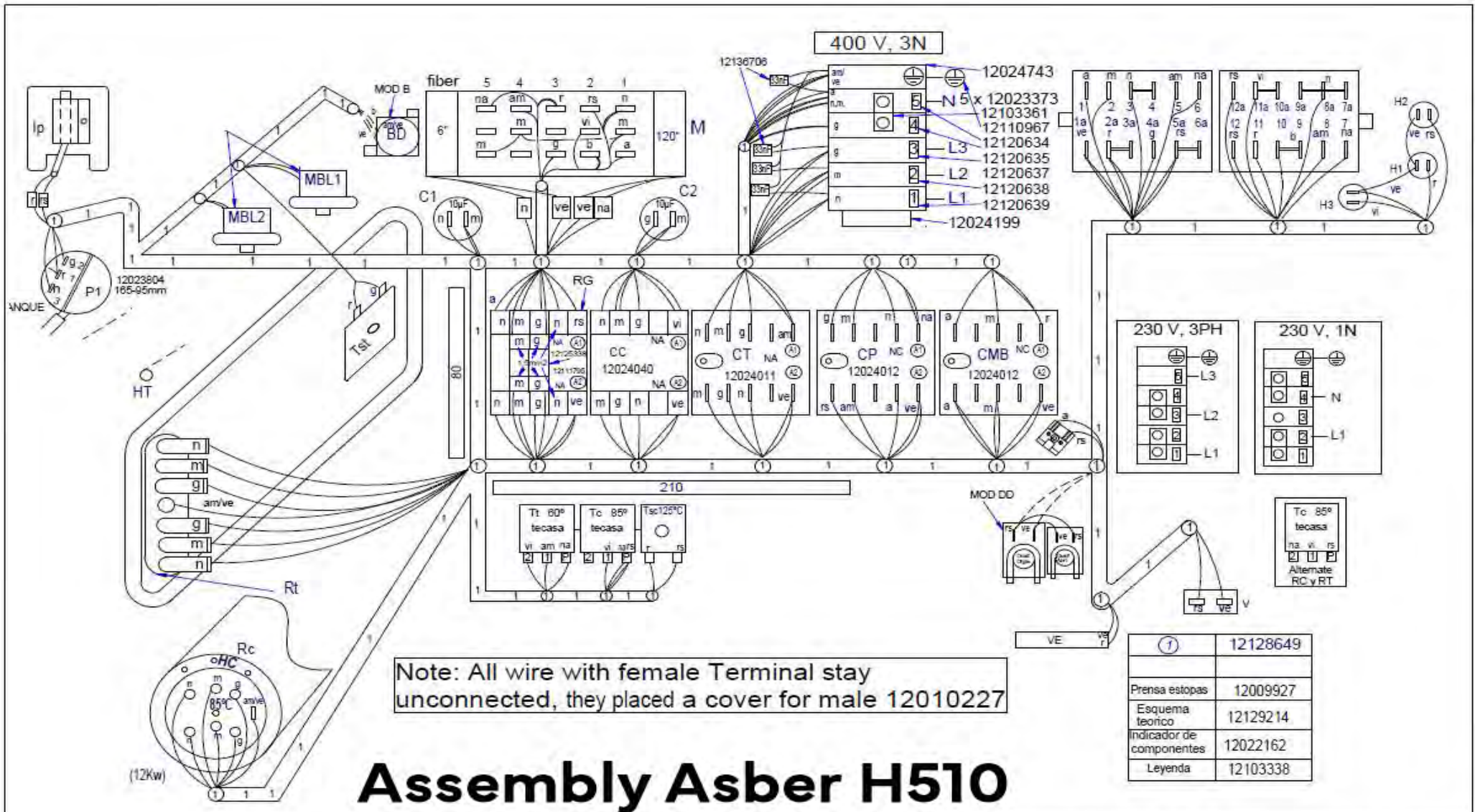


12129214

-		Esquema Teonoo Capota EASY H500 HP		-		12129214		-	
Nº	TITLE	QTY	CODE	MATERIAL	TREATMENT				
ISO 2768-1		Very Coarse		asber		SHEET FORMAT: A3		DESIGN CENTER: ONA	
ISO 2768-2		LAVAVAJILLAS		M.MAILLO		VALCATEDER		DATE: 03.09.2015	
12129214		REVISION		PROPOSED BY: M.MAILLO		ISSUE DATE:		SHEET: 1 / 1	







# Assembly Asber H510

- Plano Montaje Capota Easy H500 HP -		12129254												
Nº	TÍTULO	QTY	MATERIAL	TREATMENT										
<table border="1" style="font-size: small;"> <tr> <td>ISO 2798-1</td> <td>Very Corrosive</td> <td></td> <td></td> <td></td> </tr> <tr> <td>ISO 2798-2</td> <td>Very Corrosive</td> <td></td> <td></td> <td></td> </tr> </table>					ISO 2798-1	Very Corrosive				ISO 2798-2	Very Corrosive			
ISO 2798-1	Very Corrosive													
ISO 2798-2	Very Corrosive													
DISHWASHER		12129254												
12129254														
PROPOSED BY: -		ISSUE DATE:												

## LEYENDA CAPOTA

	ESPAÑOL	FRANÇAIS	ENGLISH	DEUTSCH	ITALIANO	中文
Ⓐ Ⓑ	Puntos de conexión con R	Points de conexión R	Conecction point with R	<b>Anschlußpunkte mit R</b>	Punti di collegamento con R	带R接触点
BD	Bomba desagüe	Pompe de vidange	Drain pump	Abflußpumpe	Pompa scarico	排水泵
C 1/2/3	Condensador	Condensateur	Condenser	Kondensator	Condensatore	电容
CMB	Contactora bomba lavado	Contacteur pompe lavage	Wash pump contactor	Kontaktschutz Waschpumpe	Contattore pompa lavaggio	清洗泵接触器
Cc 1/2	Contactora calentamiento calderin	Contacteur chauff. surchauffeur	Boiler heating contactor	Kontaktschutz Boilerheizung	Contattore riscaldamento boiler	升温箱加热接触器
Ct	Contactora calentamiento tanque	Contacteur chauffage cuve	Tank heating contactor	Kontaktschutz Heizung Tank	Contattore riscaldamento serbatoio	水箱加热接触器
CP	Rele puerta	Relais porte	Door relay	Türelais	Rele porta	门继电器
Ds,Det.	Dosificador detergente	Dosueur de detergent	Detergent doser	Dosierer Spülmittel	Dosatore detersivo	清洗剂药液泵
E.B	Electrobomba de presion	Electropompe de pression	Electric pressure pump	Elektro-Drucksteigerungspumpe	Electropompa pressione	电子压力泵
IG	Interruptor general	Interrupteur general	Main switch	Hauptschalter	Interruttore generale	主开关
IP	Micro puerta	Micro porte	Door microswitch	Mikroschalter Tür	Micro porta	门磁开关
L1	Piloto de encendido	Voyant fonctionnement	Operation light	Betriebsanzeigelampe	Spia accensione	运行指示灯
L2	Piloto marcha	Voyant demarrage	Start light	Startanzeigelampe	Spia avvio	开始指示灯
L3	Piloto maquina preparada	Voyant machine prêt	Light machine ready	Betriebsbereitheitsanzeigelampe	Pilota macchina preparata	加热完成 指示灯
MBL 1/2	Bomba lavado	Pompe lavage	Wash pump	Waschpumpe	Pompa lavaggio	清洗泵
M	Motor programador	Moteur du programmeur	Motor programmer	Motor Programmiervorrichtung	Motore programmatore	程序电机
M Av. R	Motor program. avance rapido	Moteur du progr.avance rapide	Motor program. rapid advance	Motor Programmiervorrich. schneller Vorlauf	Motore programmatore avanzamento rapido	程序电机 高速高级
M1	Micro programador marcha	Micro du programm. de marche	Micro programmer on	Motor Programmiervorrich. Betrieb	Micro programma. di funzionamento	微程序 开
M2	Micro programador lavado	Micro du programm. de lavage	Micro programmer wash	Motor Programmiervorrich. Waschen	Micro programmatore di lavaggio	微程序 清洗
M3	Micro programador aclarado	Micro du programm. de rinçage	Micro programmer on	Motor Programmiervorrich. Spülen	Micro programmatore di risciacquo	微程序 喷淋
M4	Micro programador Termo-stop	Micro du programm. Thermo-stop	Micro programmer Thermo-stop	Motor Programmiervorrich. Thermo-Stop	Micro programmatore Thermo-stop	微程序 加热停止
M5	Micro programador avance	Micro du programm. avance	Micro programmer advance	Motor Programmiervorrich. Vorlauf	Micro programmatore avanzamento	微程序 高级
M6	Micro programador avance	Micro du programm. avance	Micro programmer advance	Motor Programmiervorrich. Vorlauf	Micro programmatore avanzamento	微程序 高级
P, P1, P5	Presostato	Pressostat	Pressure switch	Druckwächter	Pressostato	压力开关
P2, P3, P4	Presostato limitador	Pressostat de securité	Hi-limit pressure switch	Begrenzer Druckwächter	Pressostato limitatore	高水位限制 压力开关
R	Rele de Generador de A.C.	Relais du Generateur	Generator rele	Relais Generator	Rele Generatore	热水供应器继电器
Ⓐ Ⓑ	Toma de alimentac. Generador A.C.	Alimentation generateur	Water heater feeding	Stromversorgungsanschluß Gener.	Alimentazione generatore	热水供应器电源线
RC	Resistencia calderin	Resistance surchauffeur	Boiler heating element	Heizwiderstand Boiler	Resistenza boiler	升温箱加热管
RT	Resistencia tanque	Resistance cuve	Tank heater	Heizwiderstand Tank	Resistenza serbatoio	水箱加热管
Tt	Termostato tanque	Thermostat de cuve	Tank thermostat	Thermostat Tank	Termostato serbatoio	水箱温控器
TC	Termostato calderin	Thermostat surchauffeur	Boiler thermostat	Thermostat kessel	Termostato boiler	升温箱温控器
Tst	Limitador tanque	Limiteur de cuve	Tank limiter	Begrenzer Tank	Limitatore serbatoio	水箱安全温控器
TSC	Limitador calderin	Limiteur surchauffeur	Boiler Hi-limit	Begrenzer Boiler	Limitatore boiler	升温箱安全温控器
TSTP	Termostato termo-stop	Thermostat Thermo-stop	Thermo-stop Thermostat	Thermostat Thermo-stop	Termostato Thermo-stop	温度停止温控器
V	Electrovalvula llenado y aclarado	Electrovan. remplissage rinçage	Fill and rinse valve	Elektroventil Füllen und Spülen	Elettroval. riempimento e risciacquo	电磁阀
VE	Ventilador cuadro electrico	Ventilateur tableau électrique	Switchboard fan	Schalttafelventilator	Ventilatore quadro elettrico	风机
COLOR	COLORES	COULEURS	COLOUR	FARBEN	COLORE	颜色
a =	Azul	Bleu	Blue	Blau	Blu	蓝色
am =	Amarillo	Jaune	Yellow	Gelb	Giallo	黄色
am/ve =	Amarillo/verde	Jaune / vert	Yellow / green	Gelbi/grün	Giallo/verde	黄/绿
b =	Bianco	Blanc	White	Weiß	Bianco	白色
g =	Gris	Gris	Grey	Grau	Grigio	灰
m =	Marrón	Marron	Brown	Braun	Marrone	棕
n =	Negro	Noir	Black	Schwarz	Nero	黑
na =	Naranja	Orange	Orange	Orange	Arancio	橙
r =	Rojo	Rouge	Red	Rot	Rosso	红
rs =	Rosa	Rose	Pink	Rosa	Roseo	粉
ve =	Verde	Vert	Green	Grün	Verde	绿
vi =	Violeta	Violet	Purple	Violett	Viola	紫

Z-713036  
12022197

HC-17400 - 1

<b>Customer</b>	<b>Handle</b>	<b>Hood Sticker</b>	<b>Front Panel Sticker</b>
<b>MASTRO</b>	12024101	602301P0058	602301P0057
<b>TECNITALIA</b>	12024101	602301P0052	602301P0053
<b>GASTPARO</b>	12024557	602301P0073	602301P0073
<b>ASBER</b>	12024101	12091625	12091628
<b>ASPES</b>	12024101	12111153	12111154
<b>BRILLAR</b>	12023881	12115363	12115394
<b>GOOS</b>	12024557	12117711	12117710
<b>EDENOX</b>	12024005	12122005	12122006
<b>SZRON</b>	12024557	602301P0075	602301P0076
<b>SZRON NO NAME</b>	12024557	12117711	12117710