

REV.00

General Assembly

Included Models

ENF VRD26 HC UL LED EXP V19 FS

1022786

Item	Internal Code	Spare Part	Description
1	3029548	2077027	PILASTER
2	2025914	2077068	TUBE COVER
3	2079012	2086781	LEFT TUBE COVER
4	2079014	2086783	RIGHT TUBE COVER
5	2075442	2101013	TUBE COVER
6	2038149	2076344	MOLD DEFLECTOR SUPPORT
7	2000027	2077077	DEFLECTOR MOLDING
8	2073301	2086785	CENTRAL POLE
9	3052756	2065364	TEMPERATURE CONTROL
10	3043769	2076494	CONTROL SUPPORT
11	3017428	2065076	CONTROL KNOB
12	3001457	2065052	SWITCH
13	3035053	2076488	WIRE COVER
14	2058714	2101012	SWITCH SUPPORT
15	3022239	2065163	POWER CORD
16	3033266	2077079	BACK GRILL
17	3032674	2077078	SHELF
18	3053442	2081350	CLIP F/PILASTER
19	3017492	2016589	THERMOMETER
20	3022238	2065360	LEVELING LEG
21	3001490	2076878	WALL SPACER
22	2041708	2086795	FRONT GRILL
23	3059393	2086797	FRONT GRILL SUPPORT
24	3052103	2076368	DRIVER 24W
*	3058748	2086789	MAIN HARNESS
*	3052022	2065188	COMPRESSOR HARNESS
*	3052030	2065133	LED HARNESS

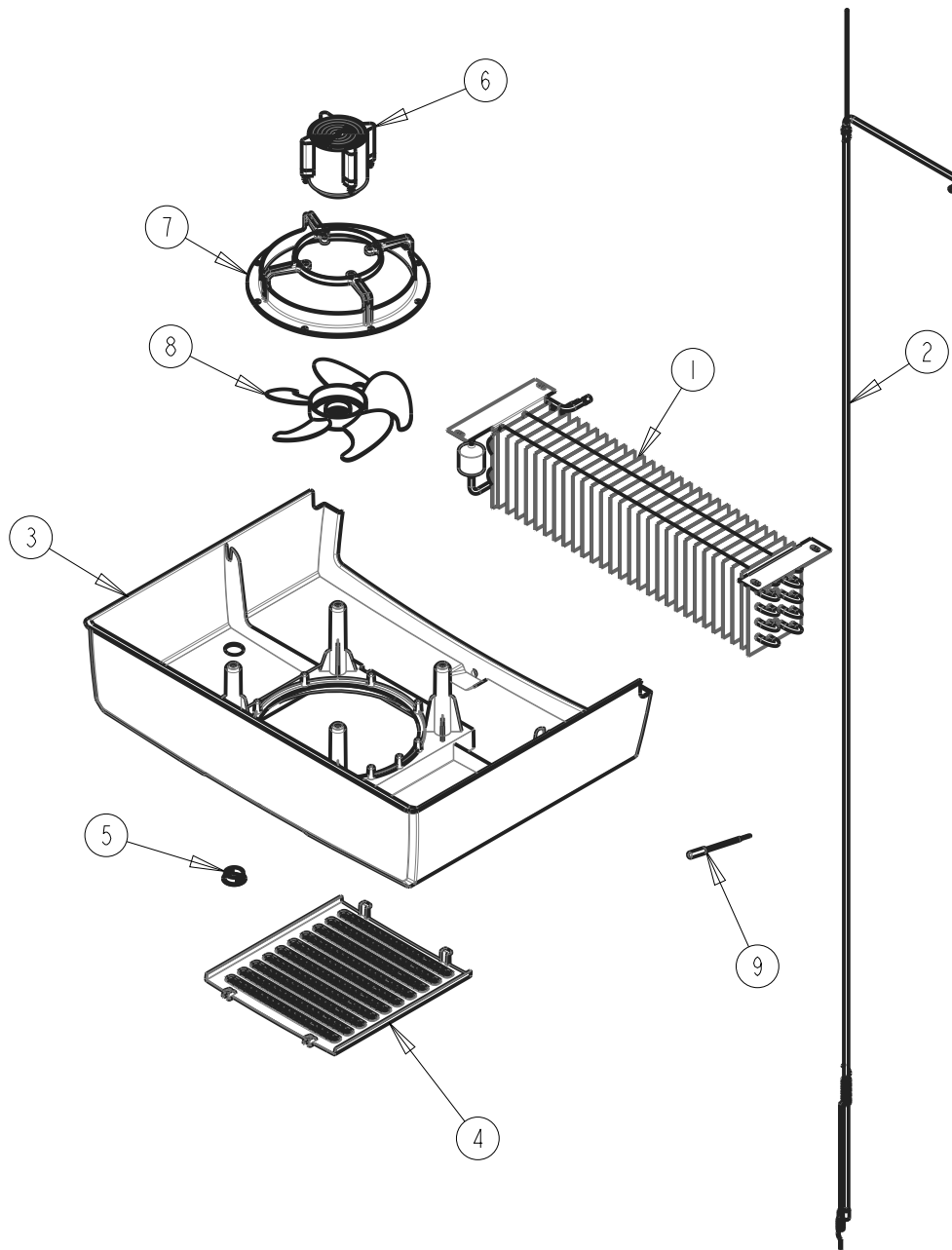
**REV.00**

**General Assembly**

**Included Models**

**ENF VRD26 HC UL LED EXP V19 FS**

**1022786**



REV.00

Evaporator Unit

Included Models

ENF VRD26 HC UL LED EXP V19 FS

1022786

Item	Internal Code	Spare Part	Description
1	3054283	2068674	EVAPORATOR RIGHT
2	2072575	2077073	RETURN PIPE
3	2063294	2077082	EVAP HOUSING
4	2044821	2068676	EVAP HOUSING COVER
5	3015563	2077081	STOPPER
6	3023792	2065067	EVAP FAN MOTOR
7	3023907	2021792	MOTOR EVAP SUPPORT
8	3023793	2017317	EVAP FAN BLADE
9	3031133	2065184	TEMPERATURE SENSOR

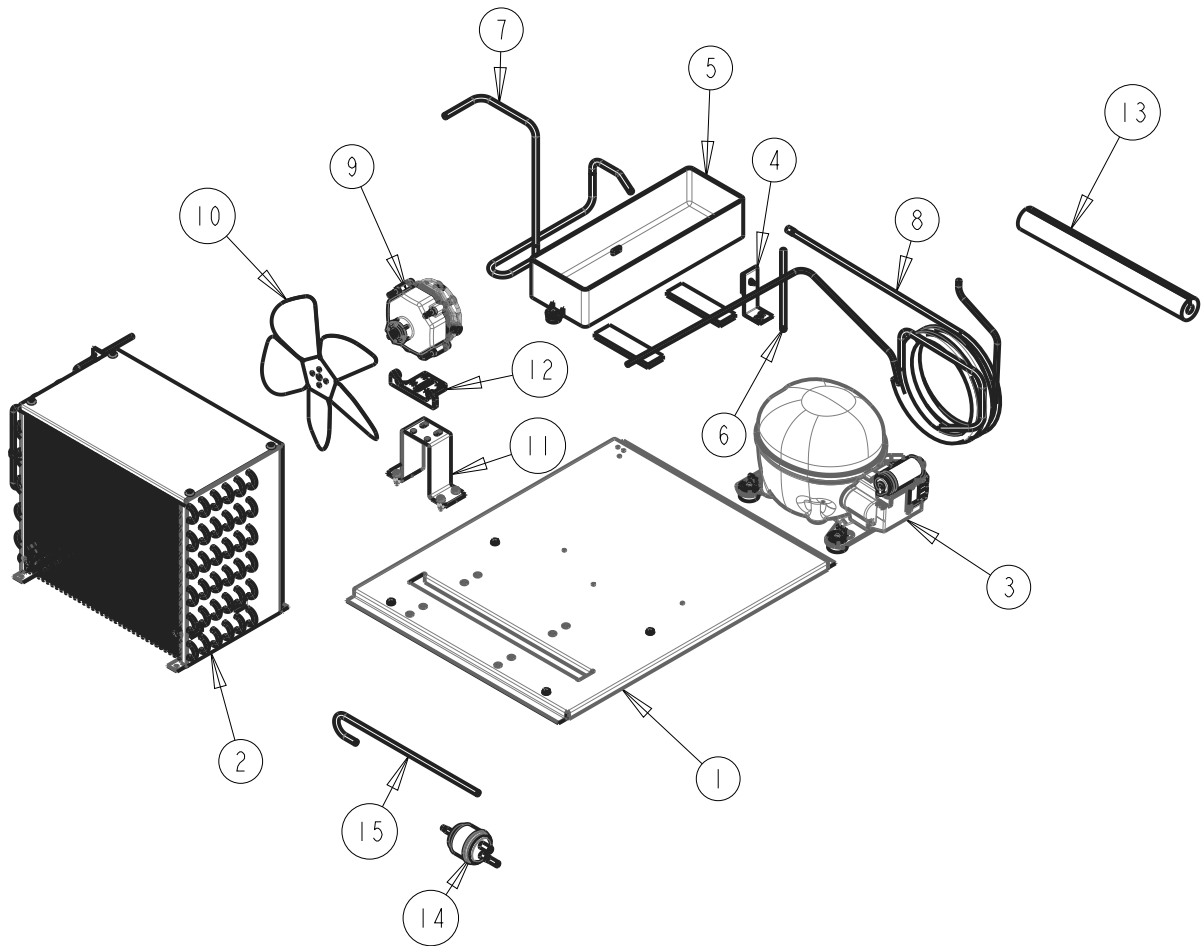
REV.00

Evaporator Unit

Included Models

ENF VRD26 HC UL LED EXP V19 FS

1022786



REV.00

Condenser Unit

Included Models

ENF VRD26 HC UL LED EXP V19 FS

1022786

Item	Internal Code	Spare Part	Description
1	2085279	2101014	BASE COMPRESSOR
2	3064903	2101015	CONDENSER
3	3055368	2072402	COMPRESSOR
4	2003751	2045838	COND PAN SUPPORT
5	3000814	2065072	CONDENSATE PAN
6	2014639	2063514	CHARGE PIPE
7	2072578	2077072	DISCHARGE PIPE
8	2072579	2077069	HEAT EXCHANGER
9	3023792	2065067	COND FAN MOTOR
10	3023793	2017317	COND FAN BLADE
11	3033267	2077074	MOTOR STAND
12	3039514	2065362	MOTOR EVAP SUPPORT
13	3000807	2077326	PIPE INSULATION
14	3043930	2065116	FILTER DRIER
15	2030264	2076400	VACCUM PIPE

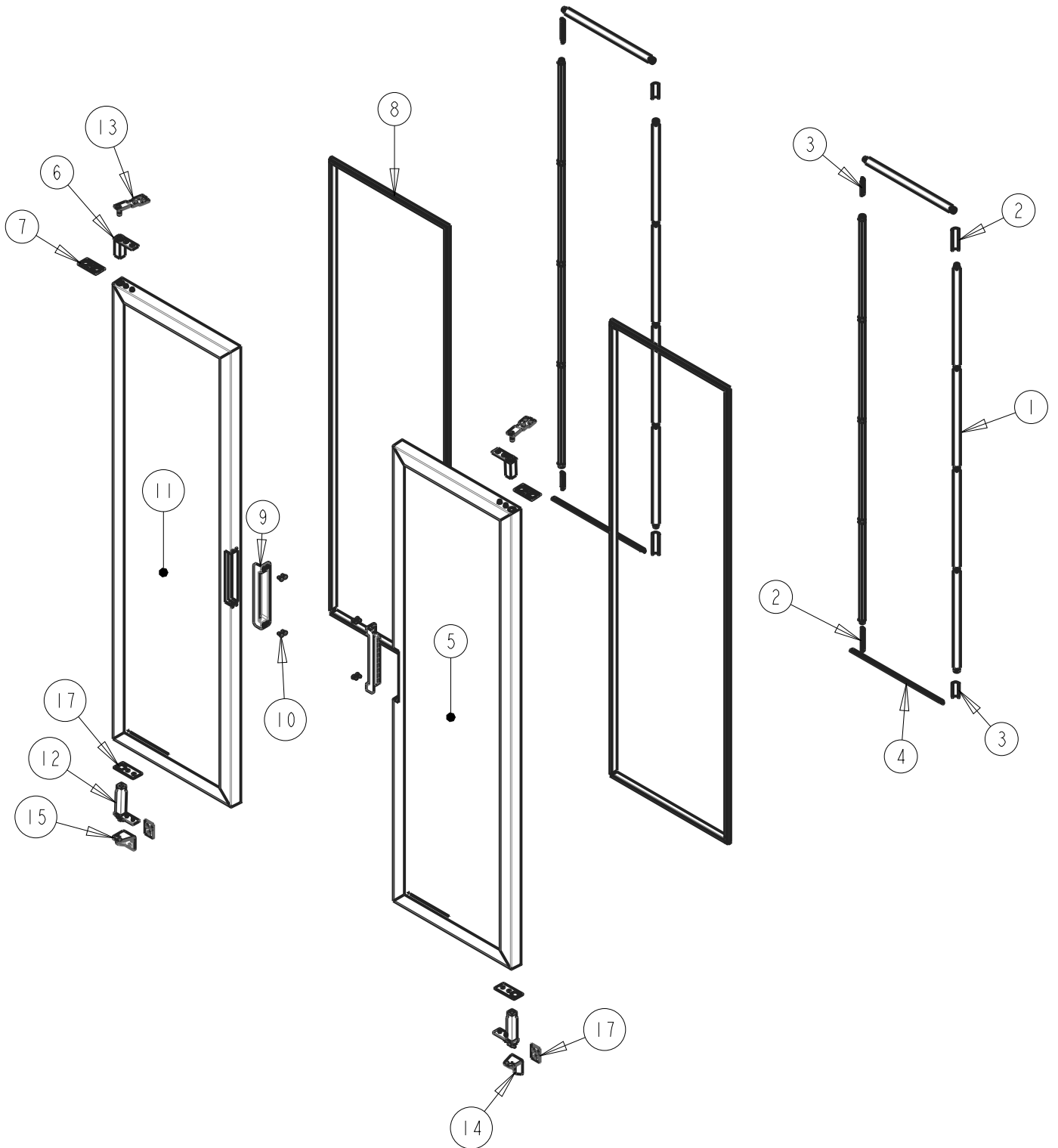
REV.00

Condenser Unit

Included Models

ENF VRD26 HC UL LED EXP V19 FS

1022786



REV.00

Included Models

ENF VRD26 HC UL LED EXP V19 FS

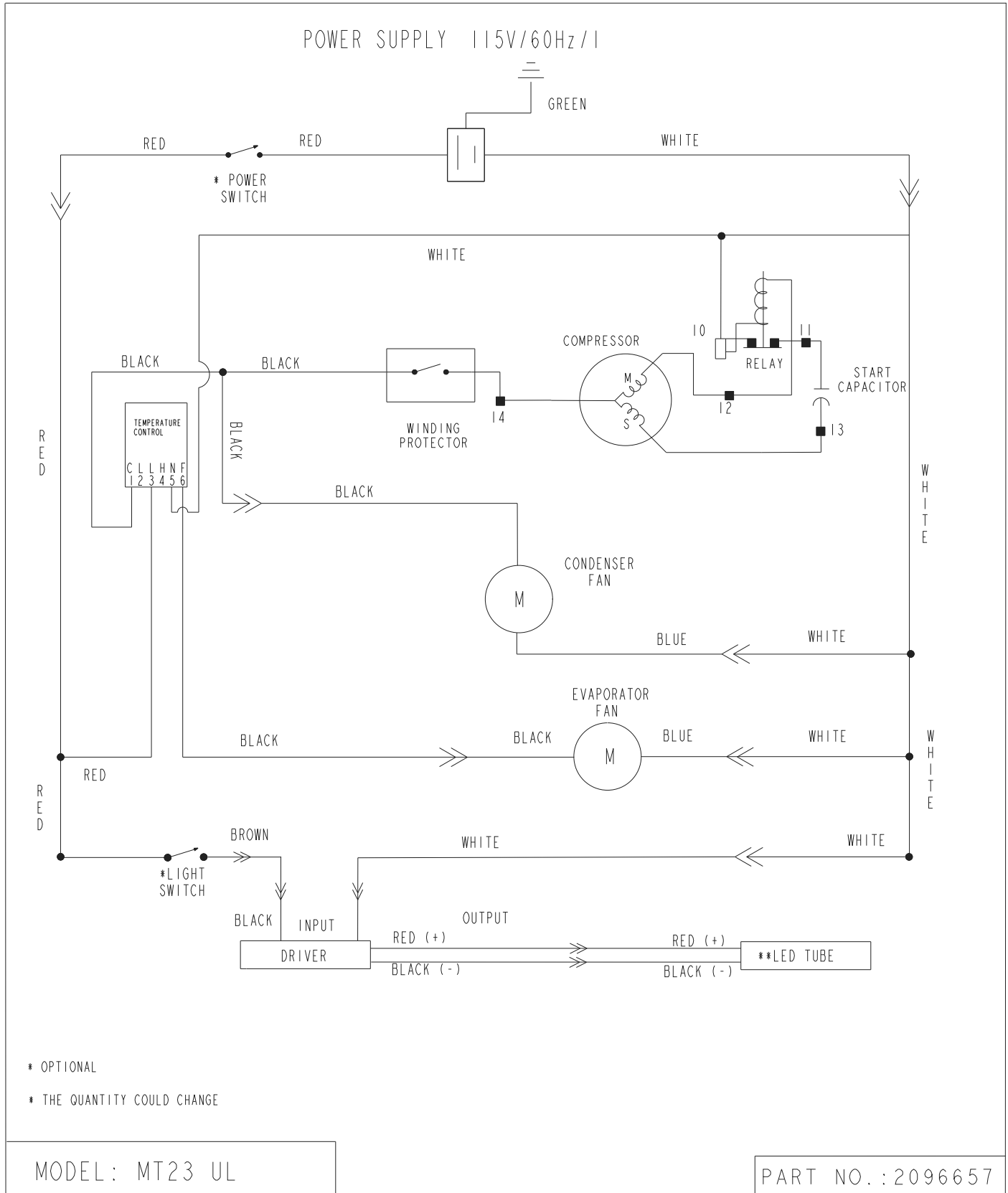
Door

1022786

Item	Internal Code	Spare Part	Description
1	3051065	2065047	LED MODULE
2	2010396	2086787	MOULDING GLASS FIXER COVER
3	2009732	2085653	MOULDING GLASS FIXER COVER
4	2010406	2086788	MOULDING GLASS FIXER COVER
5	2084219	2086790	GLASS DOOR RIGHT
6	3044866	2076112	DOOR BUSHING
7	3046334	2077724	BUSHING SUPPORT
8	3061567	2086792	GASKET
9	3055404	2088923	PLASTIC DOOR HANDLE
10	3027788	2081335	REMOVABLE RIVET
11	2084218	2086793	GLASS DOOR LEFT
12	3043569	2055558	SELF CLOSING
13	3023206	2065356	TOP HINGE
14	3055138	2076384	BOTTOM HINGE
15	3055137	2076389	BOTTOM HINGE
16	3043342	2076346	REINFORCEMENT
17	3028538	2077415	REINFORCEMENT
*	3051220	2075742	F-M MODULE HARNESS
*	3045554	2076101	F-DRIVER MODULE HARNESS

**REV.00**
**Door**
**Included Models**
**ENF VRD26 HC UL LED EXP V19 FS**
**1022786**





\* OPTIONAL

\* THE QUANTITY COULD CHANGE

REV.00

Wiring Diagram

Included Models

ENF VRD26 HC UL LED EXP V19 FS

1022786